



Spare Parts Catalog

16 S 1620 TD
OTOSAN

Material number: 1341.001.009



Pos.	Information	Amendment number
A10	CUSTOMER:OTOSAN	
A10	COUNTRY:TR	
A14	CODE: CUST.SPEC.NO: TYPE NO:	
A90	RELEASE:FIRST INSTALLATION CHECK CARRIED OUT	
F06	INSTAL.POSITION:HOR. LH *FLANGE MOUNTED*	
F10	RATIO: 16,41- 1,00 *DG	
F10	G16,41*11,28* 7,76* 5,43* 3,59* 2,47*	
F10	G 1,70* 1,19* R15,36	
F10	S13,80* 9,49* 6,53* 4,57* 3,02* 2,08*	
F10	S 1,43* 1,00* R12,92	
F10	RATIO SERIES-BASIS:DG	
F26	PLANET GEAR SET:I= 4,565* 5 GEAR	
F26	HELICAL GEAR	
F34	CONTROL:REMOTE CONTROL*HORIZONTAL LH *H-H	
F34	SHIFT ASSISTANCE:SERVO LH	
F34	ACTUATION:CONTROL CABLE	
F34	GP:PLASTIC FORM PIPE	
F34	SERVO:PLASTIC PIPING	
F34	VALVE:WITHOUT	
F34	DOWNSHIFT GATE INTERLOCK:WITHOUT	
F34	GATE INTERLOCK:WITHOUT PIPE	
F34	VALVE:WITHOUT	
F34	HASV:THROTTLE D= 1,55* 2-TAPPET*AIR.CONN. F	
F34	AIR SUPPLY:GV-VALVE	
F38	SEPARAT.CLUTCH: SYNCHRONIZED	
F38	1-4 GEAR BK-SYNCHR.	
F38		
F40	INPUT SHAFT : L=117,0*SAE 10C 2 INCH	7948E
F40	JOURNAL:D=25 F7*SHAFT:D=50,30*BUSH:WITHOUT	7948E
F40	SHAFT:L=389,50 *SPLINE:L=120,000*	7948E



Pos.	Information	Amendment number
F40	BEARING CONSTANT I:GL *D= 99,916H5	7948E
F40	SPIGOT BEARING:TAPER ROLLER	7948E
F44	ENGINE CONNECTION: SAE 1 *CENTERING D= 511,175	
F44	NH= 12*D= 11,0*RELEASE DEVICE LH SIDE:D=35,00	
F44	*CLAMPING TABS RIGHT:L= 292,00*	
F44	IND.TRANSMITTER: *	
F44	CLEARANCE:	
F44	FORDING ABILITY DRAIN: X *	
F44	FORDING ABILITY VENTING:D=	
F44	HOUSING: NICHT WATFAEHIG	
F46	REL.BRG.CARRIER:L=- 7,0 D= 60,000 F8	
F52	OUTP.FLANGE RA:OD=180 *NH= 4 *D=15,0	
F52	L=211,5	
F60	MOUNTING FACE HOUSING II:WITHOUT	
F64	CONN.OF GEARSHIFT:	
F66	CONTROL SHAFT DIMENSION:A=300,0*	
F68	MEAS.POINT: SHIFTLIVER-LOCATION *	
F72	SELEC.LEVER :R1= 69*R2= *R3= *POS:C	
F72	KRANKED:OUTSIDE *L= 3,60	
F74	SHIFT LEVER:WITHOUT*HEXAGON CONNECTION	
F80	POSITION DELETED	
F96	SET OF SPRINGS:LAYOUT Q 4 *	
F98	PAWL STOP: SPRING FORCE RG=150N	7948E
G00	RESISTANCE DETENT:SPRING HF= 160N	7948E
G00	DETENT LEVER LAYOUT:VERSION= C	7948E
G02	SPRING*WF- 30N	
G08	DETENT NG: SPRING FORCE= 200N	
G16	SELECTION PATTERN:WI	
G30	SWITCH: RG*CLOSING *G.SHIFT SHAFT	
G30	PROTECTING CAP:WITH *BAYONET	



Pos.	Information	Amendment number
G32	SWITCH: NG*OPENING *	
G32	PROTECTING CAP:WITH *BAYONET	
G32		
G36	SWITCH: GP*OPENING *	
G36	PROTECTING CAP:WITH *BAYONET	
G56	SWITCH: GV*OPENING *	
G56	PROTECTING CAP:WITH *BAYONET	
G60	AUXILIARY UNITS/ACCESSORIES	
G64	HEAT EXCHANGER:FRONT LEFT PREP*	
G66	G.BOX VENTING:BREATHER	
G76	CLUTCH HOUSING:SAE 1 * INTEGR	
G76	RELEASE: WITH	
G76	CYL: * *L=	
G76	HOLDING FIXTURE D= *SUSPENSION:	
G76	SENSOR: * ASSEMBLY: 6	
H50	ELECTRONIC:	
H68	PULSE TRANSMITTER TACHO:IMP/U 6,00	7948E
H68	TRANSMIT:WITH *PROTECT.CAP:WITH	7948E
H68	BAYONET	7948E
H68	VERSION:KITAS II *ADR-PROTECTED EXPLOSION	7948E
H70	PULSE TRANSMITTER TACHO:IMP/U 6,00 *	
H70	TRANSMITTER:WITHOUT*PROTECTING CAP:WITHOUT	
H70	POS: 1*INSTALL.DRAWING	
M00	DRAWING:	
M02	INSTALLATION: 1315 600 149	
M14	SECTION: 1315 051 503	
M16	SECTION: 1316 101 035(0)	
M18	SECTION: 1316 173 042	
M28	SECTION: 1315 192 100	
M50	ASSEMBLY INSTRUCTIONS:	



Pos.	Information	Amendment number
M58	ASSEMBLY:OIL FILL+OVERFLOW *HOUSING LEFT+RIGHT	
M90	OIL CAPACITY: AP. 11,00L	
M92	OIL GRADE ACC.TO ZF:TE-ML02C	
M94	MASS : APPRX. 295,0 KG	
M96	PAINT :TIEFSCHWARZ RAL9005 *ZFN 915W	
M98	PRESERVATION : KA1 T/KI1/ *ZFN 916	
S02	VEHICLE DATA 1:	
S04	MODEL:TRUCK * 4X 2	
S04	DEVELOPMENT CODE:	
S06	MAX.G.V.M. T*MAX. G.C.M. 40,0T	
S08	R DYN: 522*	
S10	RA: I= 3,90	
S14	FORD /NHDD *KW294/2200*N.M1600/1400	
S18	CLUTCH: F&S *MFZ430	



Graphics	Pos.	Material number	Name	VKF	Amend. no.	Amend. start	Prod. no.	Material feature / tech. info.	ID
068.01.05	110	1315.101.123	GEARBOX HOUSING	1		00.00.0000		DG/SG-KK*W I *FL.OHNE	3
068.01.52	120	1315.101.977	GEARBOX HOUSING	1		00.00.0000		DG/SG-KK *STANDARD	3
068.02.02	150	1315.102.811	INPUT SHAFT	1		00.00.0000		A-PLATTE GETR*GEH.6KT-SCHR	3
068.02.02	910	1315.102.079	INPUT SHAFT	1		00.00.0000		DG-KK *L117*GL100*ZAPF.25	3
068.02.55	140	1315.102.439	CONN.PLATE	1		00.00.0000		L-7*D60F8 *AUSR-WELLE	3
068.03.01	920	1315.103.017	LAYSHAFT	1		00.00.0000		16S151*DG-KK*LAGER 43,6	3
068.03.80	180	1316.103.803	LAYSHAFT	1		00.00.0000		PUMPE GETR*GEH.1 6KT-SCHR	3
068.04.13	930	1315.104.026	MAIN SHAFT	1		00.00.0000		16S151*SG-KK+DG NEUES K.K	3
068.06.01	230	1315.106.008	GEARSHIFT SYST.	1		00.00.0000		WL*W I	3
068.06.01	234	1315.106.422	CONN.PARTS	1		00.00.0000		GEH.2 W I RG/HG-VERSCHL	3
068.06.01	238	1315.106.800	GEARSHIFT SYST.	1		00.00.0000		GLEITSTEINE 1-4GANG	3
068.07.31	292	1341.108.803	G.SHIFT HOUSING	1		00.00.0000		WL-SERVO*H-H*6KT-VERBINDG	3
068.07.31	910	1316.108.046	G.SHIFT HOUSING	1		00.00.0000		WL-SERVO*W I*H-H*CGS	3
068.07.31	914	1316.108.459	G.SHIFT SHAFT	1		00.00.0000		SERVO WL/WR*RASTE 200N	3
068.07.31	924	1316.108.058	DETENT	1		00.00.0000		WL/WR-SERVO*W I*H-H*HF160N	3
068.08.30	954	1316.171.403	END COVER	1		00.00.0000		WL-SERVO	3
068.08.30	960	1316.171.406	PNEUM.SERVOUNIT	1		00.00.0000		WL/WR-SERVO*2-ST.SCHLTG.	3
068.08.85	964	1316.171.815	CONN.PARTS	1		00.00.0000		WL/WR-SERVO*LA=GV-SERVO	3
068.09.01	934	1316.109.025	CONN.PARTS	1		00.00.0000		HASV 2-ST*D=1,55 INTEGR.	3
068.09.01	940	1316.109.433	CONN.PARTS	1		00.00.0000		NG-OEFF/BAJO*RG-SCHL*BAJO	3
068.09.01	952	1316.109.439	CONN.PARTS	1		00.00.0000		KABELVERBIND*RG *0,00M	3
068.09.01	962	1316.109.440	CONN.PARTS	1		00.00.0000		KABELVERBIND*NG *0,00M	3
068.10.02	296	1316.111.806	SELECTOR LEVER	1		00.00.0000		CGS*ANB*R=69*KROEPP*L=3,5	3
068.10.02	932	1316.111.004	SELECTOR LEVER	1		00.00.0000		CGS*VORMONTAGE	3
068.12.26	918	1316.149.440	SET OF SPRINGS	1		00.00.0000		SERVO-WL*Q4*WF 17N	3
068.40.02	500	1315.112.008	GV-SHIFT SYSTEM	1		00.00.0000		235N*GV-LAG.GEH.1	3
068.40.02	502	1315.112.411	CONN.PARTS	1		00.00.0000		DG*GV-OEFF*BAJONETT	3
068.40.02	970	1315.112.427	CONN.PARTS	1		00.00.0000		KABELVERBIND*GV *0,00	3
068.43.02	020	1315.131.050	GP HOUSING	1	8929B	..		16S151/221*SOLO*ET	3
068.43.21	010	1315.131.047	COVER	1	8929B	..		ABTR*L=52*GDAL	3
068.43.02	030	1315.131.400	CLOSING COMPON.	1		00.00.0000		NA-OEFFNUNG	3
068.43.02	512	1315.131.805	GP HOUSING	1		00.00.0000			3
068.43.02	516	1315.131.439	CONN.PARTS	1	7948E	..		IMP ET*H68 MIT*H70 VORB	3
068.43.02	966	1315.131.429	CONN.PARTS	1		00.00.0000		KABELVERBIND*TACHO *0,00M	3

VKF Incidence factor

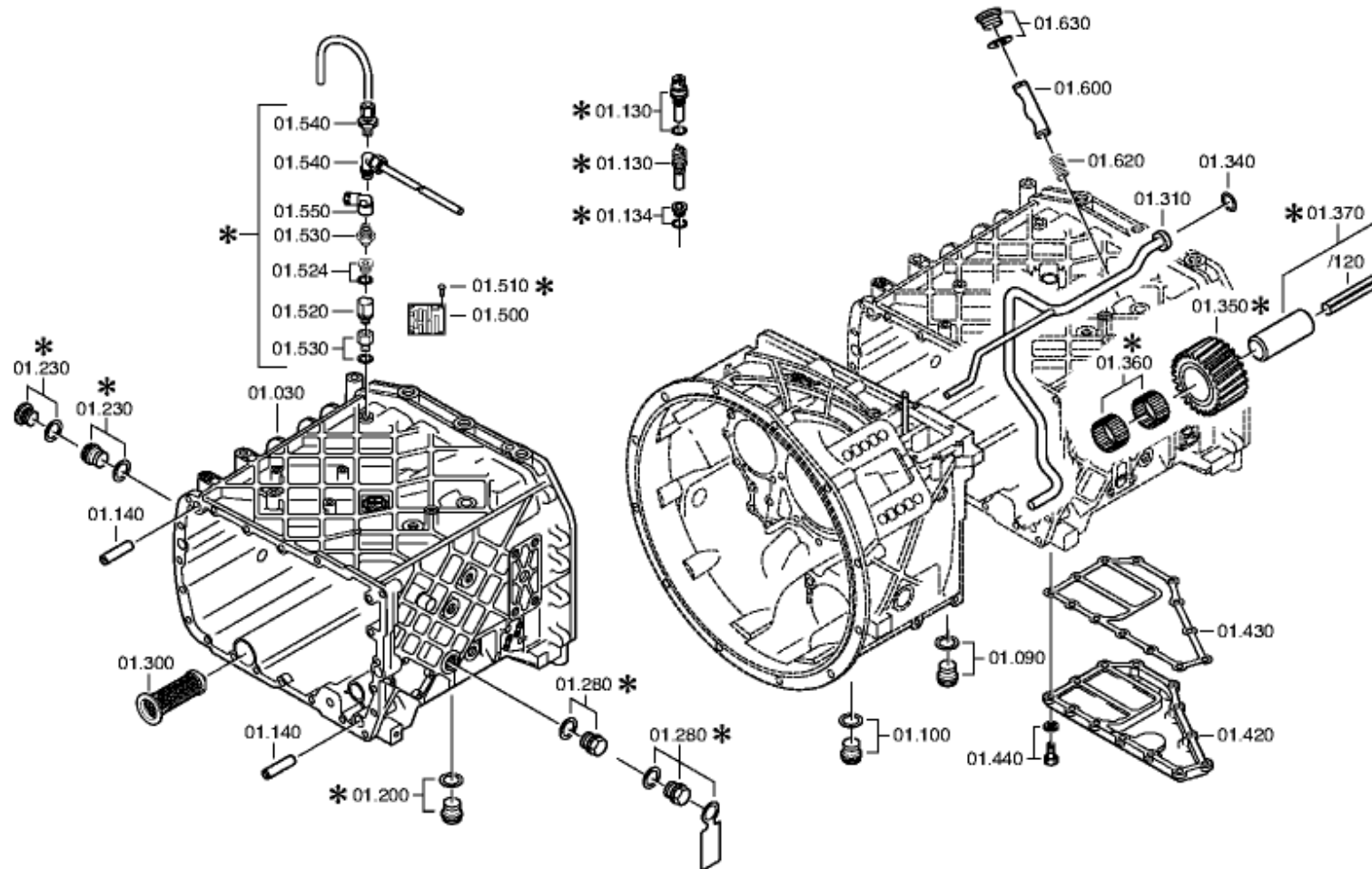
ID Identification (output code)

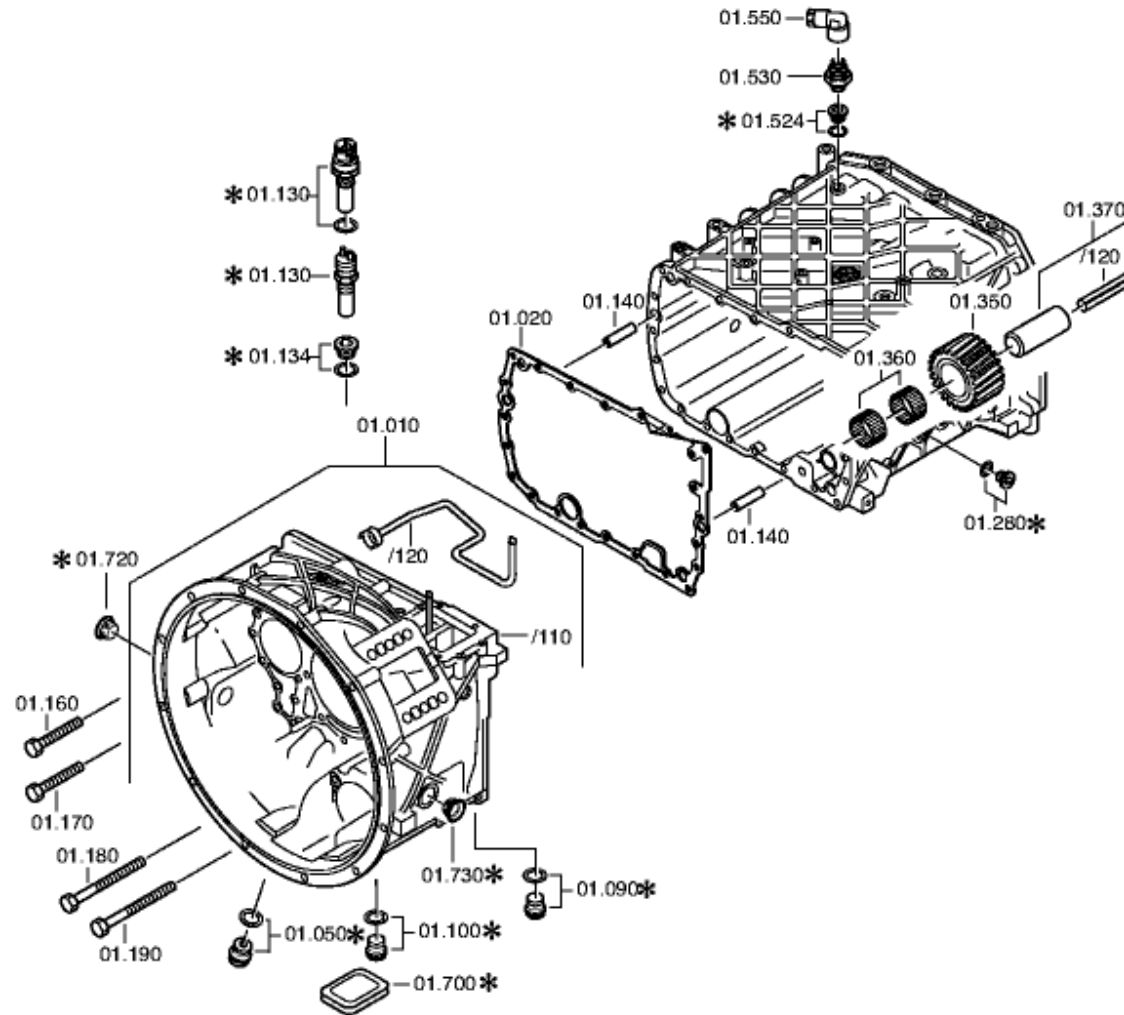


Graphics	Pos.	Material number	Name	VKF	Amend. no.	Amend. start	Prod. no.	Material feature / tech. info.	ID
068.44.07	040	1315.132.015	PLANETARY DRIVE	1		00.00.0000		4,565*GP-SV*FL.PROF.90	3
068.44.41	050	1316.132.400	PLANETARY DRIVE	1		00.00.0000		180*LZ= 4*D=15,0*L=211,5	3
068.45.04	070	1316.133.008	SYNCHRONIZER	1		00.00.0000		MOLYB*FL-PROFIL 90*E/Z6-V	3
068.45.04	080	1315.133.403	SYNCHRONIZER	1		00.00.0000		MOLYBDAEN*FL-PROFIL 80	3
068.46.03	090	1315.134.012	GP SHIFT SYSTEM	1	1822B	.		16S151*ZYL*LUFTKANAL	3
068.46.03	554	1315.134.412	CONN.PARTS	1		00.00.0000		145N*GP-OEFF*BAJONETT	3
068.46.03	980	1315.134.426	CONN.PARTS	1		00.00.0000		KABELVERBIND*GP *0,00M	3
068.57.04	390	1315.145.004	RANGE SELECTION	1		00.00.0000		16S151	3
068.93.05	130	1315.168.022	CL.RELEASE DEV.	1		00.00.0000		AUSR-WELLE*SW=128*2-SK	3
068.95.43	012	6007.101.460	CONN.PARTS	1		00.00.0000		GV	3

VKF Incidence factor

ID Identification (output code)







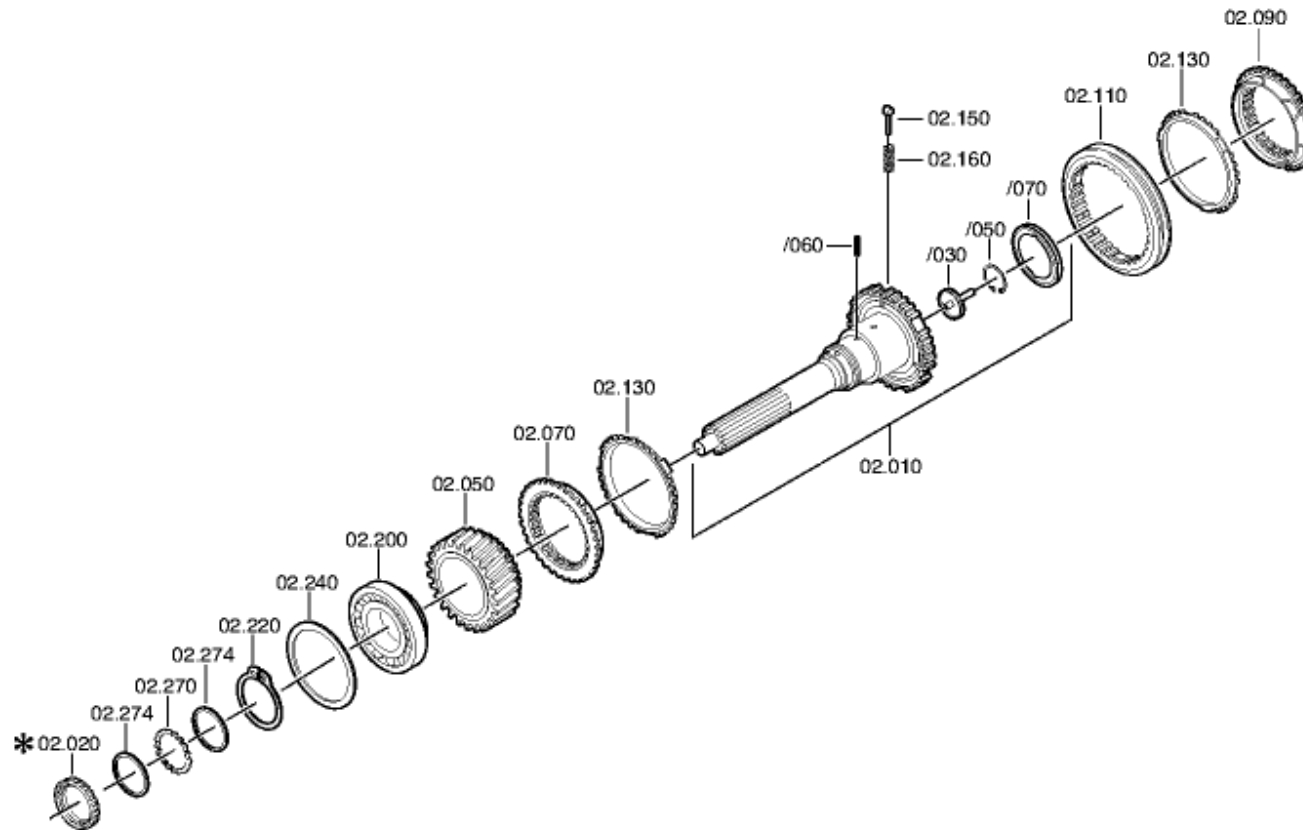
Pos.	Material number	Name	VKF	Amend. no.	Amend. start	Prod. no.	Material feature / tech. info.	OTK	External material no.	ID	Weight	SP
010	1316.201.142	CLUTCH HOUSING	1		00.00.0000		KPL.			3	20,940	
/110	1316.301.064	CLUTCH HOUSING	1		00.00.0000		ENTHALT.IN 1316 301 060(0)			4	18	
/120	1315.201.097	PIPE	1		00.00.0000		KPL.			4	0,067	
020	1315.301.233	GASKET	1	5348C						4	0,047	
030	1315.201.208	HOUSING	1		00.00.0000		KPL. IN 1315 201 206(0)			4	31	
050	---	SCREW PLUG	1		00.00.0000		M24X1,5 * 60N.M* DICHTRING			3	0,000	
	0736.305.070	SCREW PLUG	1		00.00.0000		ENTHALT.IN 0736 305 041(2)			4	0,080	
	0730.008.637	SEALING RING	1		00.00.0000		A24X29 IN 0730 008 636(2)			4	0,003	
090	---	SCREW PLUG	1		00.00.0000		M22X1,5 * 50N.M* DICHTRING			3	0,000	
	0636.302.045	SCREW PLUG	1		00.00.0000		DIN 908 M 22X1,5			4	0,000	
	0730.009.515	SEALING RING	1		00.00.0000		A22X27 IN 0730 008 636(2)			4	0,002	
100	---	SCREW PLUG	1		00.00.0000		M22X1,5 * 50N.M* DICHTRING			3	0,000	
	0730.009.515	SEALING RING	1		00.00.0000		A22X27 IN 0730 008 636(2)			4	0,002	
	0636.302.045	SCREW PLUG	1		00.00.0000		DIN 908 M 22X1,5			4	0,000	
140	0731.201.563	CYLINDRICAL PIN	4		00.00.0000		IN 0731 201 458()			4	0,130	
160	---	HEXAGON SCREW	14		00.00.0000		M10X70			3	0,000	
	0736.010.180	HEXAGON SCREW	14		00.00.0000		M10X70			4	0,051	
170	---	HEXAGON SCREW	1		00.00.0000		*4179E-05SE0768.003.524			3	0,000	
	0736.010.180	HEXAGON SCREW	1		00.00.0000		M10X70			4	0,051	
180	---	HEXAGON SCREW	6		00.00.0000		M10X140			3	0,000	
	0736.010.182	HEXAGON SCREW	6		00.00.0000		M10X140			4	0,085	
190	---	HEXAGON SCREW	1		00.00.0000		*4198E-05SE0768.003.528			3	0,000	
	0736.010.182	HEXAGON SCREW	1		00.00.0000		M10X140			4	0,085	
200	---	SCREW PLUG	1		00.00.0000		M24X1,5 * 60N.M* DICHTRING			3	0,000	
	0730.008.637	SEALING RING	1		00.00.0000		A24X29 IN 0730 008 636(2)			4	0,003	
	0636.304.049	SCREW PLUG	1		00.00.0000		DIN 910 M 24X1,5			4	0,000	
230	---	SCREW PLUG	1		00.00.0000		M24X1,5 * 60N.M* DICHTRING			3	0,000	
	0636.304.049	SCREW PLUG	1		00.00.0000		DIN 910 M 24X1,5			4	0,000	
	0730.008.637	SEALING RING	1		00.00.0000		A24X29 IN 0730 008 636(2)			4	0,003	

VKF Incidence factor **OTK** Optional technical kit **ID** Identification (output code) **SP** Supplier plant



Pos.	Material number	Name	VKF	Amend. no.	Amend. start	Prod. no.	Material feature / tech. info.	OTK	External material no.	ID	Weight	SP
280	---	SCREW PLUG	1	1323B			M24X1,5 * 60N.M* DICHTRING			3	0,000	
	0730.008.637	SEALING RING	1		00.00.0000		A24X29 IN 0730 008 636(2)			4	0,003	
	0636.304.049	SCREW PLUG	1		00.00.0000		DIN 910 M 24X1,5			4	0,000	
300	0501.318.802	SCREEN INSERT	1		00.00.0000					4	0,017	
310	1315.201.111	SPRAY TUBE	1		00.00.0000		KPL. IN 1315 201 112(0)			4	0,335	
340	0634.313.198	O-RING	1		00.00.0000		ZFN 744 20 X 3			4	0,000	
350	1315.305.011	REV.IDLER GEAR	1		00.00.0000		IN 1315 305 006(1)			4	0,000	
360	0750.115.366	NEEDLE CAGE	2		00.00.0000		WTB 45,0X57,0X21,0			4	0,092	
370	1315.201.053	REV.IDLER SHAFT	1		00.00.0000		KPL.16S151*DG*L=84			3	0,000	
/120	0631.329.294	SLOT.PIN	1		00.00.0000		ISO 8752 10 X100			4	0,000	
420	1315.301.151	COVER	1		00.00.0000					4	0,550	
430	0501.316.146	GASKET	1		00.00.0000					4	0,011	
440	---	HEXAGON SCREW	10		00.00.0000		M10X28 DIN933ALT/8.8 A3C			3	0,000	
	0630.001.048	WASHER	10		00.00.0000		DIN 125 ALT 10,5			4	0,000	
	0636.015.405	HEXAGON SCREW	10		00.00.0000		DIN 933 ALT M 10 X 28			4	0,000	
500	0730.365.241	TYPE PLATE	1	4100D			EINHEITSSCH. VERDREHSICHER			4	0,000	
510	0731.101.047	BLIND RIVET	4		00.00.0000					4	0,001	
520	---	BREATHER	1		00.00.0000		M10X1KEG			3	0,000	
	0501.202.797	BREATHER	1		00.00.0000		KPL.			4	0,030	
600	1313.306.013	LOCKING PIN	1		00.00.0000					4	0,200	
620	0732.040.736	COMPR.SPRING	1		00.00.0000					4	0,000	
630	---	SCREW PLUG	1		00.00.0000		M26X1,5 * 70N.M* DICHTRING			3	0,000	
	0634.801.249	SEALING RING	1		00.00.0000		DIN 7603 A 26 X 31			4	0,000	
	0636.302.067	SCREW PLUG	1		00.00.0000		DIN 908 M 26X1,5			4	0,000	
700	1315.301.230	PROTECTION CAP	1		00.00.0000					4	0,070	
720	0501.321.840	PLUG	1		00.00.0000					4	0,000	
730	0501.321.840	PLUG	1		00.00.0000					4	0,000	

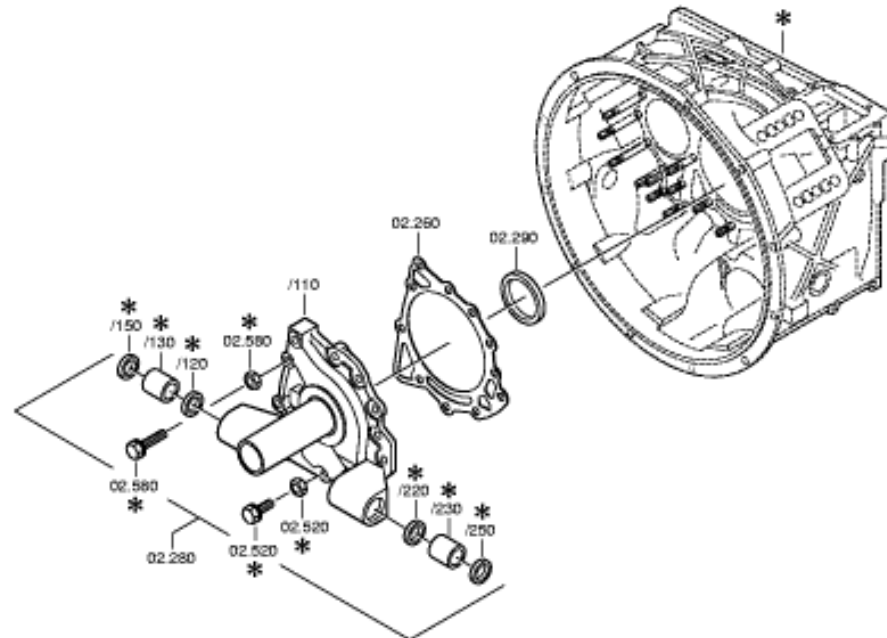
VKF Incidence factor **OTK** Optional technical kit **ID** Identification (output code) **SP** Supplier plant





Bildtafel:
Figure: 068.02.55
Figure:
Figura:

je nach Stücklistenausführung
depending on spec. number
* suivant la nomenclature
secondo la distinta base





Pos.	Material number	Name	VKF	Amend. no.	Amend. start	Prod. no.	Material feature / tech. info.	OTK	External material no.	ID	Weight	SP
010	1315.202.070	INPUT SHAFT	1		00.00.0000		KPL.L117*GL100*ZAPF.25			3	0,000	
/030	1315.302.196	PIPE	1		00.00.0000					4	0,015	
/050	0630.502.027	RETAINING RING	1		00.00.0000		DIN 472 50X2			4	0,000	
/070	0501.314.060	OIL DAM	1		00.00.0000					4	0,019	
050	1315.302.157	HELICAL GEAR	1		00.00.0000		Z30			4	2,044	
070	1312.304.027	CLUTCH BODY	1		00.00.0000		ENTHALT.IN 1310 304 107(1)			4	0,800	
090	1312.304.027	CLUTCH BODY	1		00.00.0000		ENTHALT.IN 1310 304 107(1)			4	0,800	
110	1310.304.202	SLIDING SLEEVE	1		00.00.0000		ZF-BK150/122			4	0,947	
130	1297.304.484	SYNCHRO.RING	2		00.00.0000					4	0,280	
150	1297.304.436	THRUST PIECE	3		00.00.0000		IN 1268 304 509(2)			4	0,004	
160	0732.040.409	COMPR.SPRING	3		00.00.0000					4	0,000	
200	0750.117.732	TA.ROLL.BEARING	1		00.00.0000		WTB 85,0X150,0X30,5			4	2,031	
220	0730.501.598	RETAINING RING	1		00.00.0000		85X4			4	0,049	
240	---	SHIM	1		00.00.0000		WTB 2050 309 090(2)			3	0,000	
	0730.005.748	SHIM	1		00.00.0000		A=0,90			4	0,035	
	0730.005.749	SHIM	1		00.00.0000		A=0,95			4	0,038	
	2050.309.065	SHIM	1		00.00.0000		A=1,00			4	0,039	
	0730.007.126	SHIM	1		00.00.0000		A=1,05			4	0,041	
	0730.007.127	SHIM	1		00.00.0000		A=1,10			4	0,042	
	0730.007.128	SHIM	1		00.00.0000		A=1,15			4	0,045	
	2050.309.034	SHIM	1		00.00.0000		A=1,20			4	0,000	
	0730.007.129	SHIM	1		00.00.0000		A=1,25			4	0,074	
	0730.007.130	SHIM	1		00.00.0000		A=1,30			4	0,051	
	0730.007.131	SHIM	1		00.00.0000		A=1,35			4	0,053	
	0730.007.132	SHIM	1		00.00.0000		A=1,40			4	0,055	
	0730.007.488	SHIM	1		00.00.0000		A=2,10			4	0,082	
	0730.007.487	SHIM	1		00.00.0000		A=2,05			4	0,080	
	0730.007.486	SHIM	1		00.00.0000		A=2,00			4	0,078	
	0730.007.489	SHIM	1		00.00.0000		A=2,15			4	0,084	
	0730.007.485	SHIM	1		00.00.0000		A=1,95			4	0,050	
	2050.309.094	SHIM	1		00.00.0000		A=2,20			4	0,084	
	0730.007.484	SHIM	1		00.00.0000		A=1,90			4	0,074	
	0730.007.483	SHIM	1		00.00.0000		A=1,85			4	0,073	
	0730.007.482	SHIM	1		00.00.0000		A=1,80			4	0,070	

VKF Incidence factor

OTK Optional technical kit

ID Identification (output code)

SP Supplier plant



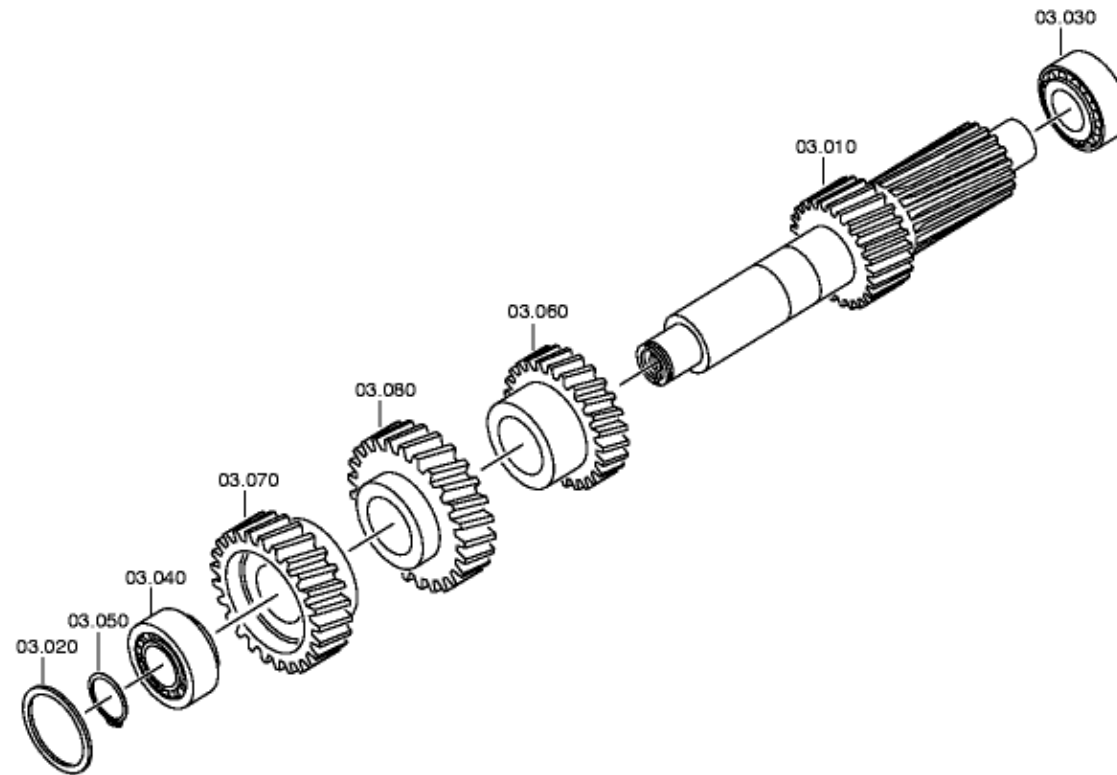
Pos.	Material number	Name	VKF	Amend. no.	Amend. start	Prod. no.	Material feature / tech. info.	OTK	External material no.	ID	Weight	SP
	0730.007.481	SHIM	1		00.00.0000		A=1,75			4	0,070	
	0730.007.480	SHIM	1		00.00.0000		A=1,70			4	0,066	
	0730.007.479	SHIM	1		00.00.0000		A=1,65			4	0,065	
	0730.007.136	SHIM	1		00.00.0000		A=1,60			4	0,063	
	0730.007.135	SHIM	1		00.00.0000		A=1,55			4	0,060	
	0730.007.134	SHIM	1		00.00.0000		A=1,50			4	0,059	
	0730.007.133	SHIM	1		00.00.0000		A=1,45			4	0,057	
260	0501.314.587	GASKET	1		00.00.0000					4	0,025	
270	1315.302.040	SPACER RING	1		00.00.0000					4	0,012	
274	0730.150.766	WASHER	2		00.00.0000		A=3,30			4	0,051	
280	1315.202.068	CONN.PLATE	1		00.00.0000		KPL.			3	6,455	
/110	1315.302.193	CONN.PLATE	1		00.00.0000		IN 1315 302 122(0)			4	0,000	
/120	0501.312.738	SEALING RING	1		00.00.0000		30X37X4*			4	0,002	
/130	0730.260.398	BUSH	1		00.00.0000		A=25,00			4	0,034	
/150	0501.312.738	SEALING RING	1		00.00.0000		30X37X4*			4	0,002	
/220	0501.312.738	SEALING RING	1		00.00.0000		30X37X4*			4	0,002	
/230	0730.260.398	BUSH	1		00.00.0000		A=25,00			4	0,034	
/250	0501.312.738	SEALING RING	1		00.00.0000		30X37X4*			4	0,002	
290	---	SHAFT SEAL	1	2111D	75X55X8			3	0,000	
	0734.310.387	SHAFT SEAL	1		00.00.0000		55X75X8/9,2			4	0,000	
520	---	HEXAGON SCREW	8		00.00.0000		M10X35Z1DIN933ALT/10.9 A3C			3	0,000	
	0636.015.592	HEXAGON SCREW	8		00.00.0000		DIN 933 ALT M 10 X 35 Z			4	0,000	
580	---	HEXAGON SCREW	3		00.00.0000		M10X60Z1DIN933ALT/10.9 A3C			3	0,000	
	0636.015.593	HEXAGON SCREW	3		00.00.0000		DIN 933 ALT M 10 X 60 Z			4	0,000	

VKF Incidence factor

OTK Optional technical kit

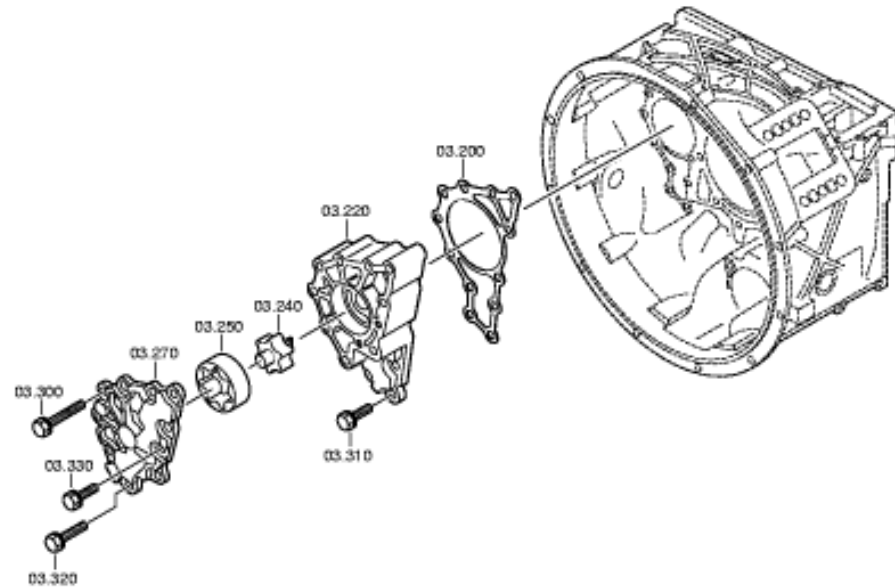
ID Identification (output code)

SP Supplier plant





Bildtafel:
Figure: 068.03.80
Figure:
Figura:





Pos.	Material number	Name	VKF	Amend. no.	Amend. start	Prod. no.	Material feature / tech. info.	OTK	External material no.	ID	Weight	SP
010	1315.303.063	LAYSHAFT	1		00.00.0000		IN 1315 303 061(0)			4	16,300	
020	---	SHIM	1		00.00.0000		WTB 0730 106 904(2)			3	0,000	
	0730.101.469	SHIM	1		00.00.0000		A=2,10			4	0,037	
	0730.112.937	SHIM	1	7375C	A=3,20			4	0,056	
	0730.101.468	SHIM	1		00.00.0000		A=2,15			4	0,030	
	0730.101.467	SHIM	1		00.00.0000		A=2,20			4	0,039	
	0730.101.470	SHIM	1		00.00.0000		A=2,05			4	0,036	
	0730.112.936	SHIM	1	7375C	A=3,15			4	0,055	
	0730.101.466	SHIM	1		00.00.0000		A=2,25			4	0,039	
	0730.112.935	SHIM	1	7375C	A=3,10			4	0,054	
	0730.100.803	SHIM	1		00.00.0000		A=2,30			4	0,040	
	0730.106.860	SHIM	1	7375C	A=3,05			4	0,054	
	0730.100.802	SHIM	1		00.00.0000		A=2,35			4	0,041	
	0730.106.917	SHIM	1		00.00.0000		A=3,00			4	0,052	
	0730.106.910	SHIM	1		00.00.0000		A=2,65			4	0,046	
	0730.106.911	SHIM	1		00.00.0000		A=2,70			4	0,047	
	0730.106.912	SHIM	1		00.00.0000		A=2,75			4	0,047	
	0730.106.909	SHIM	1		00.00.0000		A=2,60			4	0,045	
	0730.106.913	SHIM	1		00.00.0000		A=2,80			4	0,049	
	0730.106.908	SHIM	1		00.00.0000		A=2,55			4	0,040	
	0730.106.914	SHIM	1		00.00.0000		A=2,85			4	0,048	
	0730.100.799	SHIM	1		00.00.0000		A=2,50			4	0,044	
	0730.106.915	SHIM	1		00.00.0000		A=2,90			4	0,050	
	0730.100.800	SHIM	1		00.00.0000		A=2,45			4	0,042	
	0730.106.916	SHIM	1		00.00.0000		A=2,95			4	0,051	
	0730.100.801	SHIM	1		00.00.0000		A=2,40			4	0,042	
	0730.101.471	SHIM	1		00.00.0000		A=2,00			4	0,036	
	0730.106.907	SHIM	1		00.00.0000		A=1,95			4	0,034	
	0730.106.906	SHIM	1		00.00.0000		A=1,90			4	0,033	
	0730.106.905	SHIM	1		00.00.0000		A=1,85			4	0,031	
	0730.112.938	SHIM	1	7375C	A=3,25			4	0,056	
030	0750.117.009	TA.ROLL.BEARING	1		00.00.0000		WTB 49,2X103,1X43,6			4	1,719	
040	0750.117.009	TA.ROLL.BEARING	1		00.00.0000		WTB 49,2X103,1X43,6			4	1,719	
050	---	RETAINING RING	1		00.00.0000		WTB			3	0,000	

VKF Incidence factor

OTK Optional technical kit

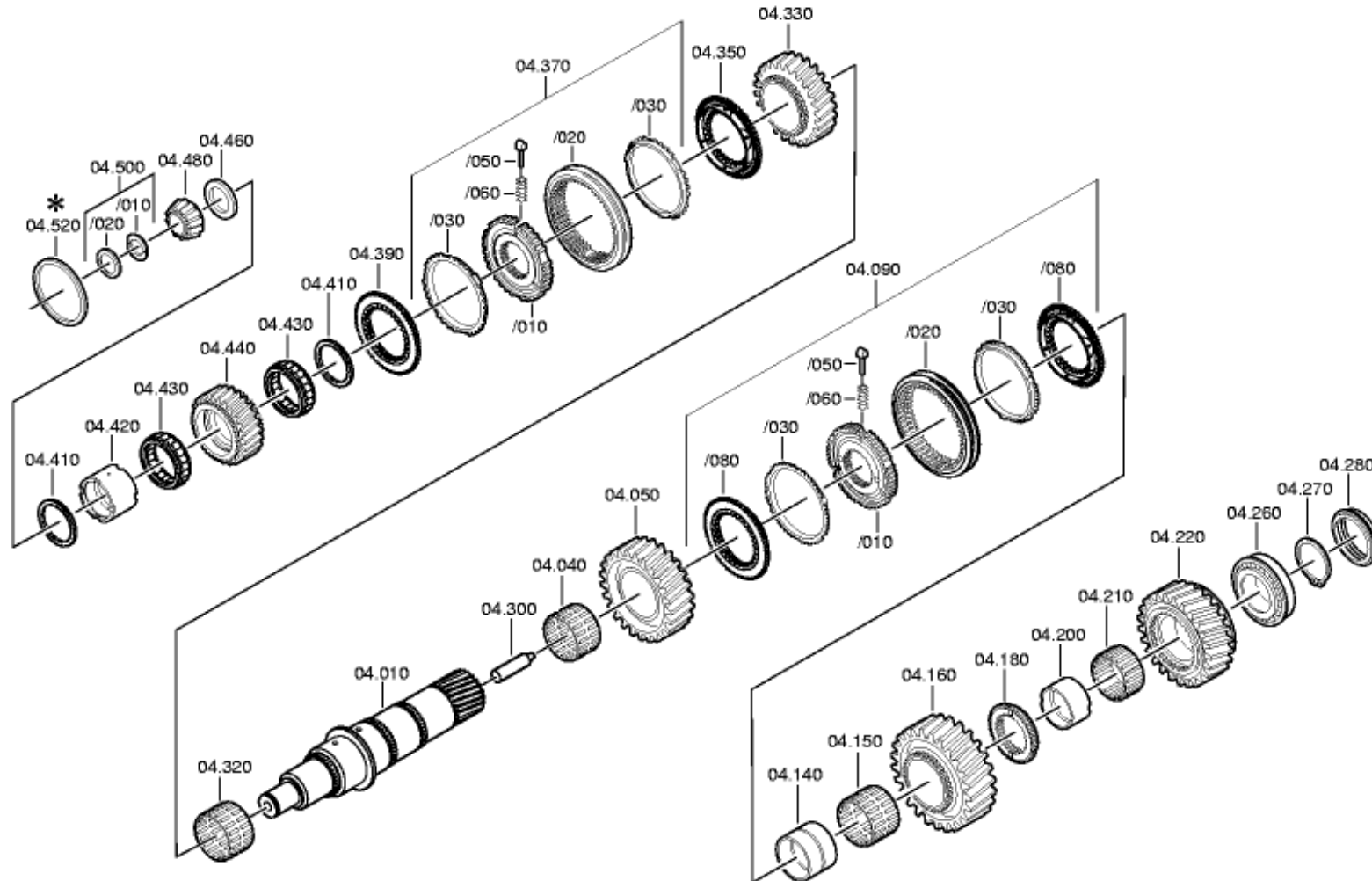
ID Identification (output code)

SP Supplier plant



Pos.	Material number	Name	VKF	Amend. no.	Amend. start	Prod. no.	Material feature / tech. info.	OTK	External material no.	ID	Weight	SP
	0630.501.112	RETAINING RING	1		00.00.0000		DIN 471 50X2,9			4	0,000	
	0630.501.113	RETAINING RING	1		00.00.0000		DIN 471 50X2,85			4	0,000	
	0630.501.114	RETAINING RING	1		00.00.0000		DIN 471 50X2,8			4	0,000	
	0630.501.115	RETAINING RING	1		00.00.0000		DIN 471 50X2,75			4	0,000	
	0630.501.111	RETAINING RING	1		00.00.0000		DIN 471 50X2,95			4	0,000	
	0630.501.116	RETAINING RING	1		00.00.0000		DIN 471 50X2,7			4	0,000	
	0630.501.117	RETAINING RING	1		00.00.0000		DIN 471 50X2,65			4	0,000	
	0630.501.118	RETAINING RING	1		00.00.0000		DIN 471 50X2,6			4	0,000	
	0630.501.160	RETAINING RING	1		00.00.0000		DIN 471 50X2,55			4	0,000	
	0630.531.064	RETAINING RING	1		00.00.0000		DIN 471 50X2,5			4	0,000	
	0630.501.159	RETAINING RING	1		00.00.0000		DIN 471 50X2,45			4	0,000	
	0630.501.148	RETAINING RING	1		00.00.0000		DIN 471 50X2,4			4	0,000	
	0630.531.065	RETAINING RING	1		00.00.0000		DIN 471 50X3			4	0,000	
060	1315.303.004	HELICAL GEAR	1		00.00.0000		3G/Z26 IN 1315 303 014(1)			4	4,440	
070	1315.303.008	HELICAL GEAR	1		00.00.0000		KON/Z39 IN 1315 303 016(1)			4	5,230	
080	1315.303.050	HELICAL GEAR	1		00.00.0000		ENTHALT.IN 1315 303 015(1)			4	4,900	
200	1315.303.060	GASKET	1	5349C				4	0,020	
220	---	PUMP HOUSING	1		00.00.0000		WTB* *GD*G-ALS			3	0,000	
	1315.302.121	PUMP HOUSING	1		00.00.0000					4	1,573	
	1315.302.117	PUMP HOUSING	1		00.00.0000					4	0,000	
240	1314.202.039	PUMP SHAFT	1		00.00.0000		KPL.			4	0,318	
250	1315.303.027	ROTOR	1		00.00.0000		AUSSEN			4	0,314	
270	---	PUMP COVER	1		00.00.0000		WTB* *GD*G-ALS			3	0,000	
	1315.302.120	PUMP COVER	1		00.00.0000					4	0,530	
	1315.302.116	PUMP COVER	1		00.00.0000					4	0,000	
300	---	HEXAGON SCREW	8		00.00.0000		M10X85Z1DIN933ALT/10.9 A3C			3	0,000	
	0636.015.594	HEXAGON SCREW	8		00.00.0000		DIN 933 ALT M 10 X 85 Z			4	0,000	
310	---	HEXAGON SCREW	3		00.00.0000		M10X35Z1DIN933ALT/10.9 A3C			3	0,000	
	0636.015.592	HEXAGON SCREW	3		00.00.0000		DIN 933 ALT M 10 X 35 Z			4	0,000	
320	---	HEXAGON SCREW	1		00.00.0000		M10X60Z1DIN933ALT/10.9 A3C			3	0,000	
	0636.015.593	HEXAGON SCREW	1		00.00.0000		DIN 933 ALT M 10 X 60 Z			4	0,000	

VKF Incidence factor **OTK** Optional technical kit **ID** Identification (output code) **SP** Supplier plant





Pos.	Material number	Name	VKF	Amend. no.	Amend. start	Prod. no.	Material feature / tech. info.	OTK	External material no.	ID	Weight	SP
010	1315.304.131	MAIN SHAFT	1		00.00.0000					4	17,200	
040	0735.321.087	NEEDLE CAGE	1		00.00.0000		92,0X100,0X53,0			4	0,000	
050	1315.304.025	HELICAL GEAR	1		00.00.0000		2G/Z38 IN 1315 304 033(1)			4	7,460	
090	1316.204.017	SYNCHRONIZER	1	7190D	KPL.			3	0,000	
/010	1316.304.163	SYNCHRO.BODY	1		00.00.0000		ZF-BK160IN 1316 304 178(0)			4	2,240	
/020	1316.304.169	SLIDING SLEEVE	1		00.00.0000		ZF-BK 160 O			4	0,000	
/030	1316.304.170	SYNCHRO.RING	2		00.00.0000		ZF-BK 160 0			4	0,000	
/050	1297.304.436	THRUST PIECE	3		00.00.0000		IN 1268 304 509(2)			4	0,004	
/060	0732.040.409	COMPR.SPRING	3		00.00.0000					4	0,000	
/080	1316.304.156	CLUTCH BODY	2		00.00.0000		ZF-BK160			4	1,110	
140	1313.304.038	BUSH	1		00.00.0000		ENTHALT.IN 1312 304 007(2)			4	0,629	
150	0750.115.325	NEEDLE CAGE	1		00.00.0000		WTB 96,0X104,0X55,0			4	0,370	
160	1315.304.004	HELICAL GEAR	1		00.00.0000		1G/Z47 IN 1315 304 020(1)			4	9,926	
180	1315.304.018	CLUTCH BODY	1		00.00.0000		RG			4	0,598	
200	1315.304.132	BUSH	1		00.00.0000		A=41,00 IN 1312 304 010(2)			4	0,395	
210	0750.115.324	NEEDLE CAGE	1		00.00.0000		WTB 90,0X98,0X41,0			4	0,263	
220	1315.304.006	HELICAL GEAR	1		00.00.0000		RG/Z44			4	6,780	
260	0750.117.677	TA.ROLL.BEARING	1		00.00.0000		WTB 80,0X130,0X36,0			4	1,981	
270	---	RETAINING RING	1		00.00.0000		WTB			3	0,000	
	0630.501.333	RETAINING RING	1		00.00.0000		DIN 471 80X3,15			4	0,000	
	0630.501.312	RETAINING RING	1		00.00.0000		DIN 471 80X3,1			4	0,000	
	0630.501.313	RETAINING RING	1		00.00.0000		DIN 471 80X3,2			4	0,000	
	0630.501.337	RETAINING RING	1		00.00.0000		DIN 471 80X3,55			4	0,000	
	0630.501.334	RETAINING RING	1		00.00.0000		DIN 471 80X3,25			4	0,000	
	0630.501.338	RETAINING RING	1		00.00.0000		DIN 471 80X3,6			4	0,000	
	0630.501.339	RETAINING RING	1		00.00.0000		DIN 471 80X3,65			4	0,000	
	0630.501.314	RETAINING RING	1		00.00.0000		DIN 471 80X3,3			4	0,000	
	0630.501.315	RETAINING RING	1		00.00.0000		DIN 471 80X3,4			4	0,000	
	0630.501.336	RETAINING RING	1		00.00.0000		DIN 471 80X3,45			4	0,000	
	0630.501.335	RETAINING RING	1		00.00.0000		DIN 471 80X3,35			4	0,000	
	0630.501.316	RETAINING RING	1		00.00.0000		DIN 471 80X3,5			4	0,000	
280	1315.332.073	PRESSURE DISC	1	5406C	IN 1316 332 108(1)			4	0,309	
300	1312.304.150	PIPE	1		00.00.0000		IN 1312 304 149(2)			4	0,022	
320	0735.321.087	NEEDLE CAGE	1		00.00.0000		92,0X100,0X53,0			4	0,000	

VKF Incidence factor **OTK** Optional technical kit **ID** Identification (output code) **SP** Supplier plant



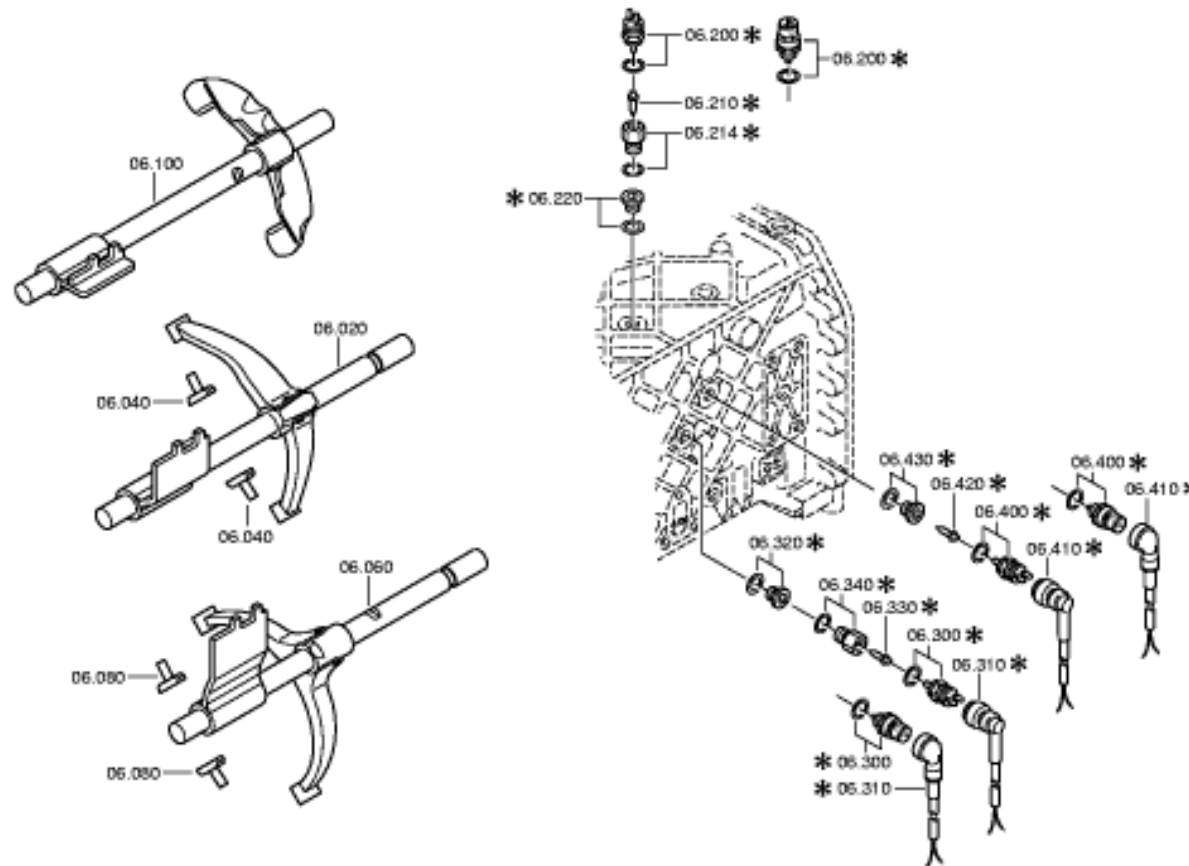
Pos.	Material number	Name	VKF	Amend. no.	Amend. start	Prod. no.	Material feature / tech. info.	OTK	External material no.	ID	Weight	SP
330	1315.304.027	HELICAL GEAR	1		00.00.0000		3G/Z34			4	4,710	
350	1316.304.159	CLUTCH BODY	1	1295D	ZF-BK 144			4	0,717	
370	1316.204.016	SYNCHRONIZER	1	7189D	KPL.			3	0,000	
/010	1316.304.162	SYNCHRO.BODY	1		00.00.0000		ZF-BK144IN 1316 304 180()			4	1,812	
/020	1316.304.167	SLIDING SLEEVE	1		00.00.0000		ZF-BK 144 O			4	0,000	
/030	1316.304.168	SYNCHRO.RING	2		00.00.0000		ZF-BK 144 0			4	0,000	
/050	1297.304.436	THRUST PIECE	3		00.00.0000		IN 1268 304 509(2)			4	0,004	
/060	0732.040.409	COMPR.SPRING	3		00.00.0000					4	0,000	
390	1316.304.159	CLUTCH BODY	1	1295D	ZF-BK 144			4	0,717	
410	0750.101.158	THRUST WASHER	2		00.00.0000		WTB			4	0,065	
420	0750.119.125	INTERNAL RING	1		00.00.0000		WTB 67,0X77,0X54,1			4	0,437	
430	0750.115.534	ROLLER CAGE	2		00.00.0000		WTB 77,0X101,0X29,0			4	0,400	
440	1315.304.089	HELICAL GEAR	1		00.00.0000		ENTHALT.IN 1315 304 023(0)			4	3,114	
460	---	AXIAL WASHER	1		00.00.0000		WTB 1315 304 042(2)			3	0,000	
	1315.304.044	AXIAL WASHER	1		00.00.0000		A=7,60			4	0,144	
	1315.304.045	AXIAL WASHER	1		00.00.0000		A=7,70			4	0,142	
	1315.304.046	AXIAL WASHER	1		00.00.0000		A=7,80			4	0,145	
	1315.304.043	AXIAL WASHER	1		00.00.0000		A=7,50			4	0,136	
	1315.304.086	AXIAL WASHER	1		00.00.0000		A=7,30			4	0,137	
	1315.304.048	AXIAL WASHER	1		00.00.0000		A=8,00			4	0,149	
	1315.304.085	AXIAL WASHER	1		00.00.0000		A=7,40			4	0,140	
	1315.304.047	AXIAL WASHER	1		00.00.0000		A=7,90			4	0,148	
480	0750.117.232	TA.ROLL.BEARING	1		00.00.0000		WTB 42,0X40,3			4	0,776	
500	1312.204.040	SPLIT RING	1		00.00.0000		KPL.GESTANZT			3	0,056	
/010	---	SPLIT RING	2		00.00.0000		WTB 0730 106 207(2)			3	0,000	
	0730.107.019	SPLIT RING	2		00.00.0000		A=4,60			4	0,043	
	0730.107.023	SPLIT RING	2		00.00.0000		A=5,00			4	0,047	
	0730.107.021	SPLIT RING	2		00.00.0000		A=4,80			4	0,023	
	0730.107.022	SPLIT RING	2		00.00.0000		A=4,90			4	0,046	
	0730.107.020	SPLIT RING	2		00.00.0000		A=4,70			4	0,044	
/020	0730.062.781	RETAINING RING	1		00.00.0000		ENTHALT.IN 0730 062 636(2)			4	0,008	

VKF Incidence factor **OTK** Optional technical kit **ID** Identification (output code) **SP** Supplier plant



Bildtafel:
Figure: 068.06.01
Figure:
Figura:

je nach Stücklistenausführung
depending on spec. number
* suivant la nomenclature
secondo la distinta base



Parts list
Page 1 from 1

Material number: 1341.001.009 16 S 1620 TD / OTOSAN
Plant: 068.06.01
Material-assembly-group-no: 1315.106.008



Pos.	Material number	Name	VKF	Amend. no.	Amend. start	Prod. no.	Material feature / tech. info.	OTK	External material no.	ID	Weight	SP
020	1315.206.061	GEAR SHIFT RAIL	1	1265D	KPL.W I IN 1315 206 060(1)			4	0,000	
040	1316.306.015	SLIDING PAD	2		00.00.0000					4	0,047	
060	1315.206.065	GEAR SHIFT RAIL	1	1265D	KPL.W I IN 1315 206 064(1)			4	0,000	
080	1316.306.015	SLIDING PAD	2		00.00.0000					4	0,047	
100	1315.206.073	GEAR SHIFT RAIL	1	7923E	KPL.W I IN 1315 206 072(1)			4	0,000	
220	---	SCREW PLUG	1		00.00.0000		M18X1,5 * 35N.M* DICHRING			3	0,030	
	0636.302.021	SCREW PLUG	1		00.00.0000		DIN 908 M 18X1,5			4	0,000	
	0634.801.062	SEALING RING	1	57730	DIN 7603 A 18 X 24			4	0,000	
320	---	SCREW PLUG	1		00.00.0000		M18X1,5 * 35N.M* DICHRING			3	0,030	
	0636.302.021	SCREW PLUG	1		00.00.0000		DIN 908 M 18X1,5			4	0,000	
	0634.801.062	SEALING RING	1	57730	DIN 7603 A 18 X 24			4	0,000	

VKF Incidence factor

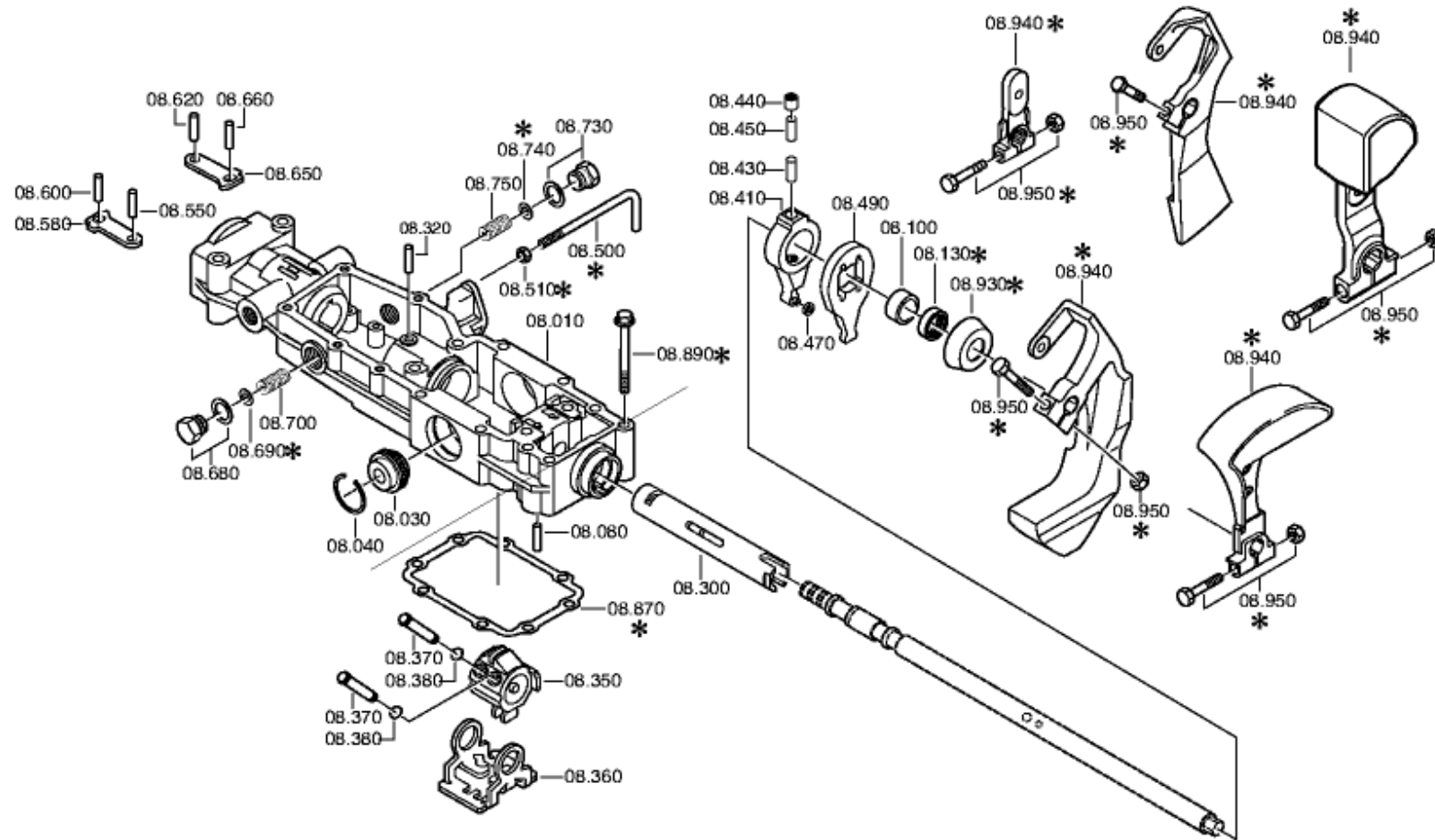
OTK Optional technical kit

ID Identification (output code)

SP Supplier plant

© All rights reserved by ZF Friedrichshafen AG, even in the event of applications for copyright. We hold all rights of disposal, such as the right to copy and disseminate.
For information only, not subject to the amendment service.

23.01.2007





Pos.	Material number	Name	VKF	Amend. no.	Amend. start	Prod. no.	Material feature / tech. info.	OTK	External material no.	ID	Weight	SP
010	1315.307.383	G.SHIFT HOUSING	1		00.00.0000					4	2,770	
030	0501.209.212	DETENT	1		00.00.0000		KPL.			4	0,114	
040	0630.532.130	V-RING	1		00.00.0000		FA. ORBIS JV 42			4	0,000	
080	0631.306.123	CYLINDRICAL PIN	1		00.00.0000		ZFN 6 8 M 6X 24			4	0,000	
100	0730.260.703	BUSH	1		00.00.0000		A=13,70			4	0,055	
130	0734.309.376	SHAFT SEAL	1		00.00.0000		28X42X11			4	0,023	
300	1315.307.294	QUILL SHAFT	1		00.00.0000		ENTHALT.IN 1315 307 293(1)			4	0,815	
320	0731.201.702	PIN	1		00.00.0000					4	0,009	
350	1315.307.333	DRIVER	1		00.00.0000		RVI.KABELZUGSCHALTUNG			4	0,569	
360	1315.307.218	LOCKING PIECE	1		00.00.0000					4	0,175	
370	1316.208.003	PIN	2		00.00.0000		KPL.			4	0,063	
380	0630.501.006	RETAINING RING	2		00.00.0000		DIN 471 10X1			4	0,000	
410	1316.208.002	VALVE LEVER	1		00.00.0000		KPL.			4	0,261	
430	0731.201.732	PIN	1		00.00.0000		IN 0731 201 704(2)			4	0,015	
440	0635.303.019	NEEDLE BUSH	1		00.00.0000		FA. INA BK 1015 1			4	0,000	
450	0731.201.732	PIN	1		00.00.0000		IN 0731 201 704(2)			4	0,015	
470	1315.307.226	ROLLER	1		00.00.0000					4	0,004	
490	1315.307.292	LEVER	1		00.00.0000					4	0,190	
550	0631.306.832	CYLINDRICAL PIN	1		00.00.0000		ZFN 6 6 H 8X 20			4	0,000	
580	1315.307.203	DETENT LEVER	1		00.00.0000					4	0,025	
600	0631.306.832	CYLINDRICAL PIN	1		00.00.0000		ZFN 6 6 H 8X 20			4	0,000	
620	0631.306.832	CYLINDRICAL PIN	1		00.00.0000		ZFN 6 6 H 8X 20			4	0,000	
650	1315.307.203	DETENT LEVER	1		00.00.0000					4	0,025	
660	0631.306.832	CYLINDRICAL PIN	1		00.00.0000		ZFN 6 6 H 8X 20			4	0,000	
680	---	SCREW	1		00.00.0000		M22X1,5			3	0,000	
	1315.307.019	SCREW	1		00.00.0000		M22X1,5			4	0,075	
	0730.009.515	SEALING RING	1		00.00.0000		A22X27 IN 0730 008 636(2)			4	0,002	
690	0630.001.051	WASHER	1		00.00.0000		DIN 125 ALT 7,4			4	0,000	
700	0732.040.986	COMPR.SPRING	1		00.00.0000					4	0,000	
730	---	SCREW	1		00.00.0000		M22X1,5			3	0,000	
	0730.009.515	SEALING RING	1		00.00.0000		A22X27 IN 0730 008 636(2)			4	0,002	
	1315.307.019	SCREW	1		00.00.0000		M22X1,5			4	0,075	
740	0630.001.051	WASHER	1		00.00.0000		DIN 125 ALT 7,4			4	0,000	
750	0732.040.986	COMPR.SPRING	1		00.00.0000					4	0,000	

VKF Incidence factor **OTK** Optional technical kit **ID** Identification (output code) **SP** Supplier plant



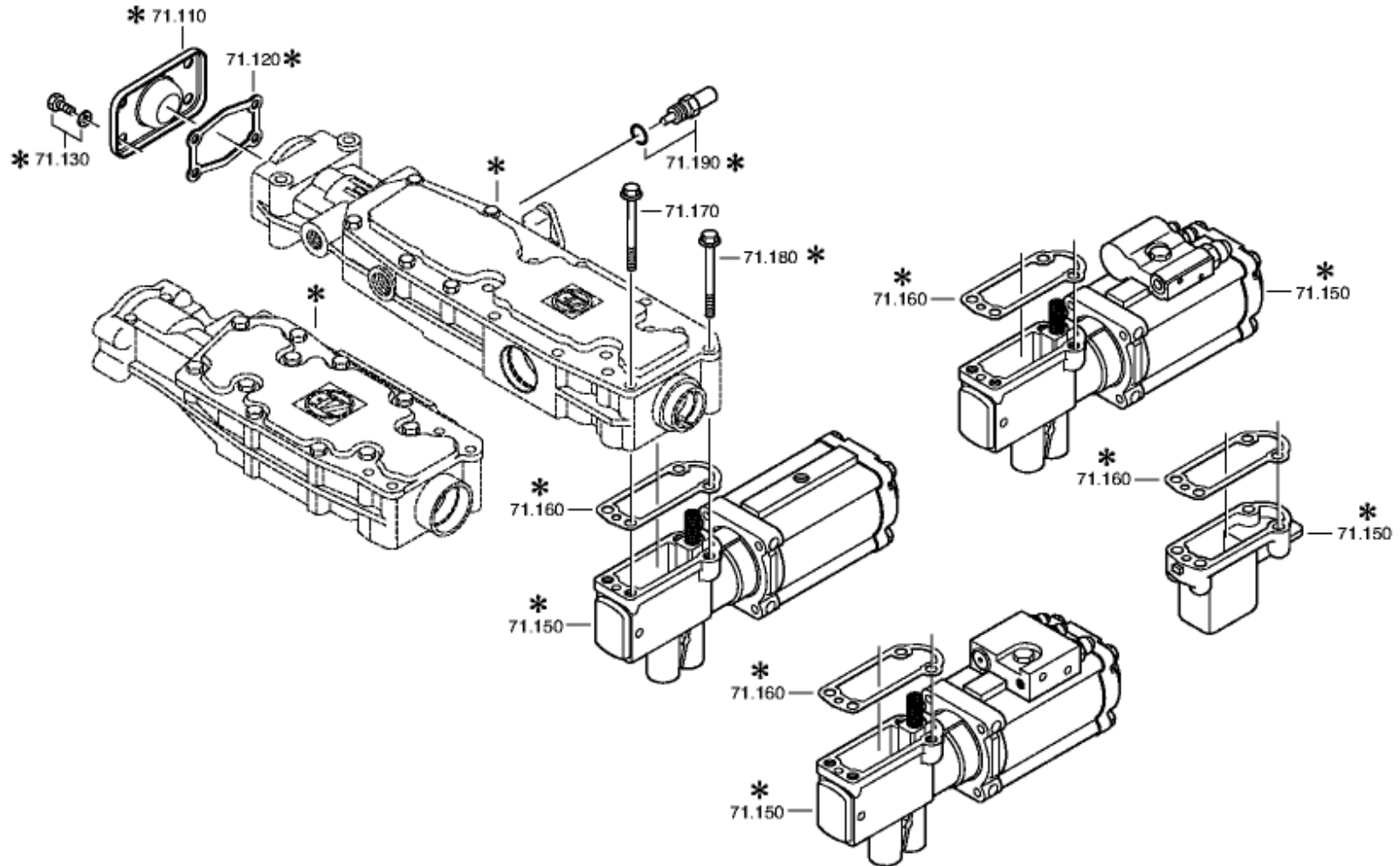
Pos.	Material number	Name	VKF	Amend. no.	Amend. start	Prod. no.	Material feature / tech. info.	OTK	External material no.	ID	Weight	SP
870	1315.307.013	GASKET	1		00.00.0000					4	0,003	
890	---	HEXAGON SCREW	8		00.00.0000		M8X80			3	0,000	
	0736.010.203	HEXAGON SCREW	8		00.00.0000		M8X80			4	0,033	
930	1315.307.387	PROTECTING CAP	1		00.00.0000		IN 1315 307 386(2)			4	0,040	

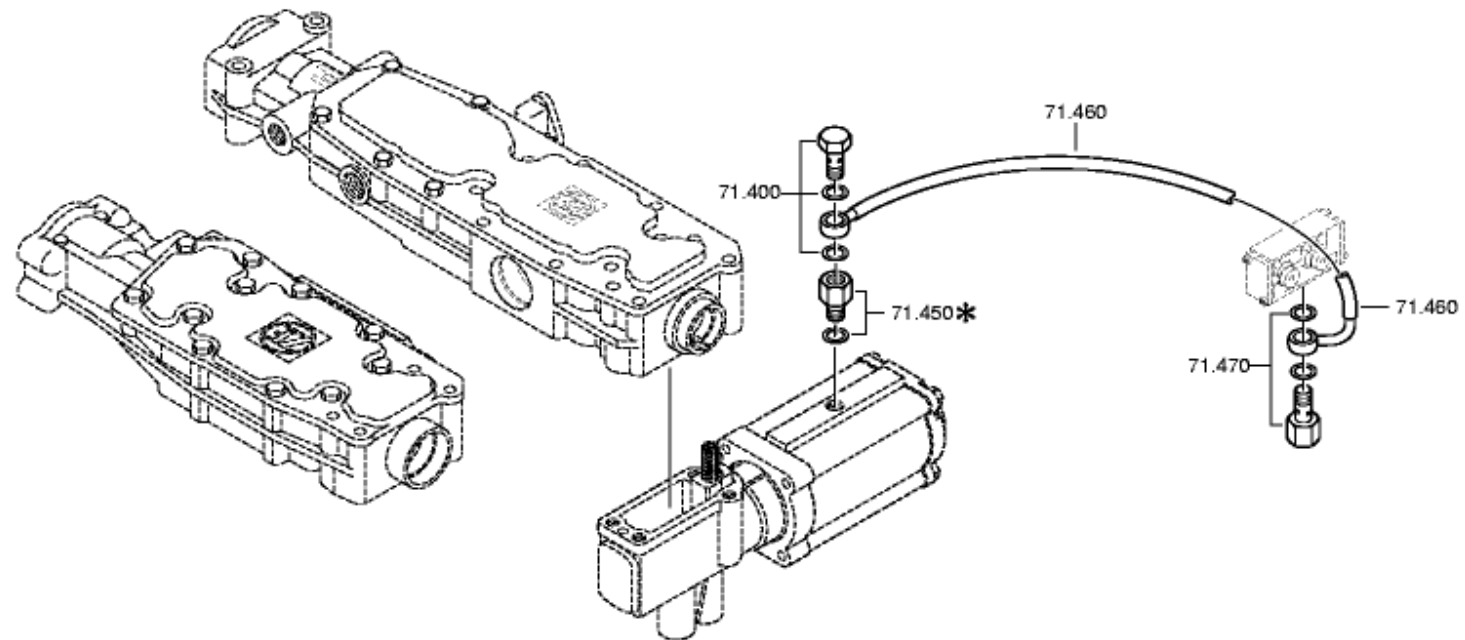
VKF Incidence factor

OTK Optional technical kit

ID Identification (output code)

SP Supplier plant







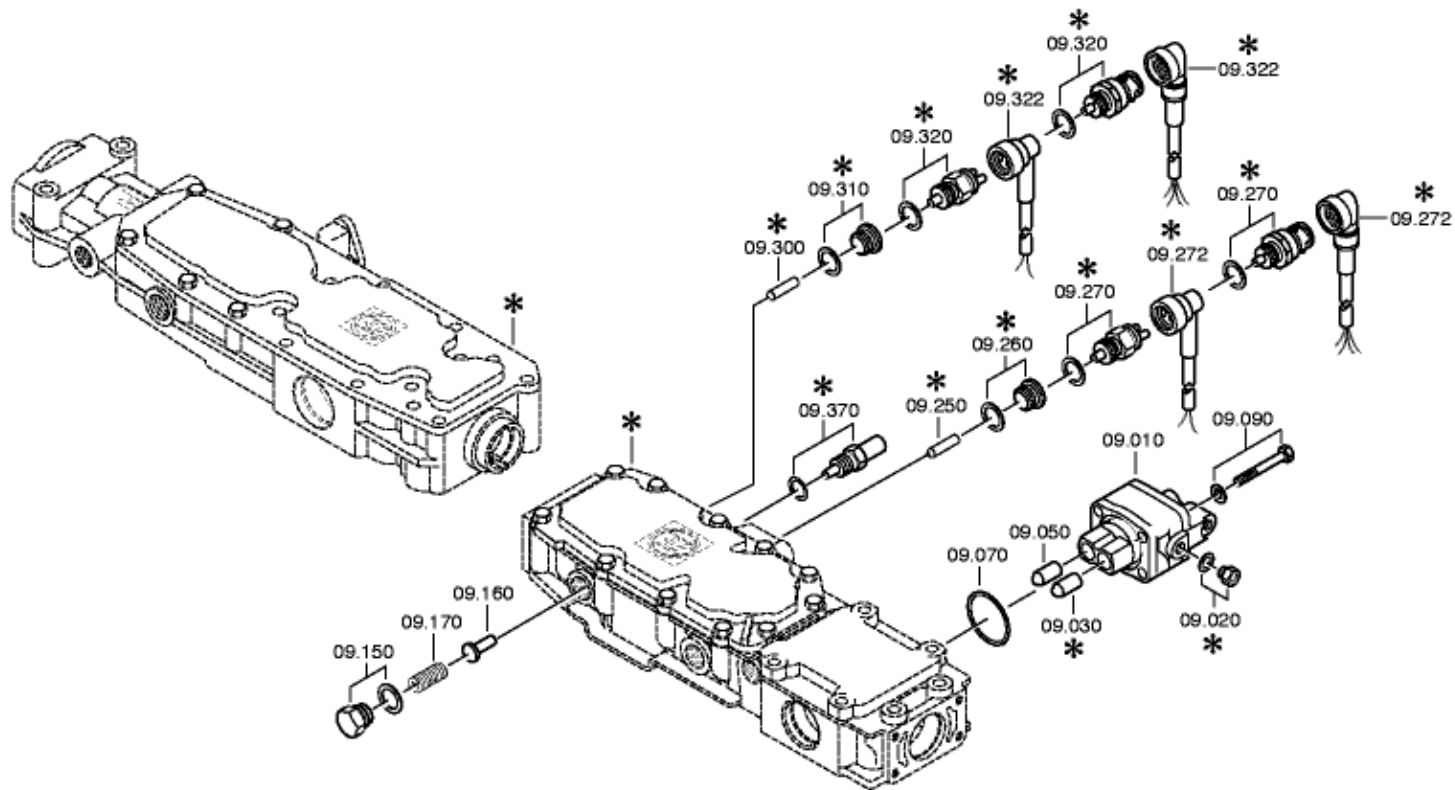
Pos.	Material number	Name	VKF	Amend. no.	Amend. start	Prod. no.	Material feature / tech. info.	OTK	External material no.	ID	Weight	SP
110	1341.307.093	COVER	1	7688E				4	0,000	
130	---	HEXAGON SCREW	4	4435A	M8X20 ISO4017/8.8 A3C			3	0,000	
	0636.015.299	HEXAGON SCREW	4		00.00.0000		ISO 4017 M 8 X 20			4	0,000	
	0630.001.075	WASHER	4		00.00.0000		DIN 125 ALT 8,4			4	0,000	
150	0501.211.290	PNEUM.SERVUNIT	1		00.00.0000		KPL.			4	2,820	
160	1315.307.242	GASKET	1		00.00.0000					4	0,001	
170	---	HEXAGON SCREW	2		00.00.0000		M8X80			3	0,000	
	0736.010.203	HEXAGON SCREW	2		00.00.0000		M8X80			4	0,033	
180	---	HEXAGON SCREW	2		00.00.0000		M8X80*FLAECHENDICHTG			3	0,000	
	0736.010.203	HEXAGON SCREW	2		00.00.0000		M8X80			4	0,033	
400	---	UNION SCREW	1	4804D	8 DIN7643			3	0,000	
	0637.835.026	UNION SCREW	1		00.00.0000		DIN 7643 8			4	0,000	
	0634.801.331	SEALING RING	2		00.00.0000		DIN 7603 A 12 X 18			4	0,000	
460	1315.209.001	PIPE	1		00.00.0000		KPL.450*8X1,0*LA=GV-SERVO			4	0,102	
470	---	UNION SCREW	1	4802D	ADAPTER ANSCHLUSS M12X1,5			3	0,000	
	0737.835.249	UNION SCREW	1	6651D	M12X1,5			4	0,000	
	0634.801.331	SEALING RING	2		00.00.0000		DIN 7603 A 12 X 18			4	0,000	

VKF Incidence factor

OTK Optional technical kit

ID Identification (output code)

SP Supplier plant





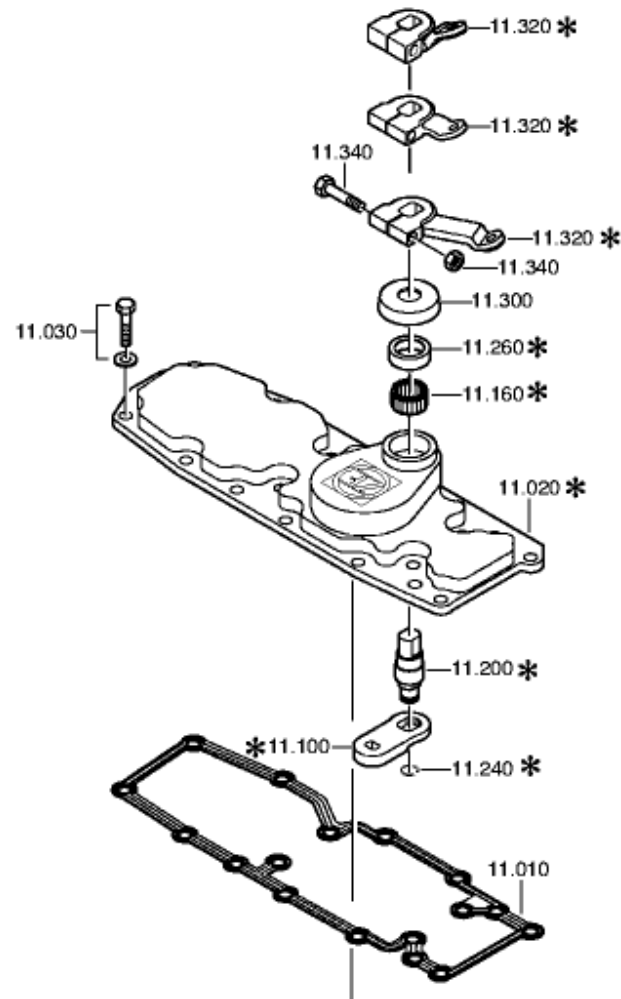
Pos.	Material number	Name	VKF	Amend. no.	Amend. start	Prod. no.	Material feature / tech. info.	OTK	External material no.	ID	Weight	SP
010	6038.202.043	CUT-OFF VALVE	1	2143C	KPL.H-H*ZULUFTDROSSEL 1,55			4	0,425	
030	0501.209.188	BALL ROLLER	1		00.00.0000		KPL.			4	0,046	
050	0501.209.188	BALL ROLLER	1		00.00.0000		KPL.			4	0,046	
070	0634.313.505	O-RING	1		00.00.0000		ZFN 744 42 X 3			4	0,000	
090	---	HEXAGON SCREW	4		00.00.0000		M8X65 ISO4014/8.8 A3C			3	0,049	
	0636.010.575	HEXAGON SCREW	4		00.00.0000		ISO 4014 M 8 X 65			4	0,000	
	0630.001.075	WASHER	4		00.00.0000		DIN 125 ALT 8,4			4	0,000	
150	---	SCREW	1	1322B	M22X1,5			3	0,000	
	1315.307.019	SCREW	1		00.00.0000		M22X1,5			4	0,075	
	0730.009.515	SEALING RING	1		00.00.0000		A22X27 IN 0730 008 636(2)			4	0,002	
160	1315.307.384	BOLT	1	3958B	ENTHALT.IN 1250 307 589(2)			4	0,012	
170	0732.041.500	COMPR.SPRING	1		00.00.0000					4	0,006	
250	0731.201.446	PIN	1		00.00.0000		ENTHALT.IN 0731 201 445(2)			4	0,021	
270	---	SWITCH	1	6728E	OEFF*45N.M*DICHTRING			3	0,000	
	0501.215.297	SWITCH	1		00.00.0000		KPL.			4	0,000	
	0634.801.062	SEALING RING	1		00.00.0000		DIN 7603 A 18 X 24			4	0,000	
272	6029.199.111	PLUG KIT	1		00.00.0000		4POL BU DINBA AMP WINKEL			4	0,025	
300	0731.208.256	PIN	1		00.00.0000		A=30,0			4	0,011	
320	---	SWITCH	1		00.00.0000		SCHL*45N.M*DICHTRING			3	0,100	
	0501.210.058	SWITCH	1		00.00.0000		KPL.			4	0,060	
	0634.801.062	SEALING RING	1		00.00.0000		DIN 7603 A 18 X 24			4	0,000	
322	6029.199.111	PLUG KIT	1		00.00.0000		4POL BU DINBA AMP WINKEL			4	0,025	

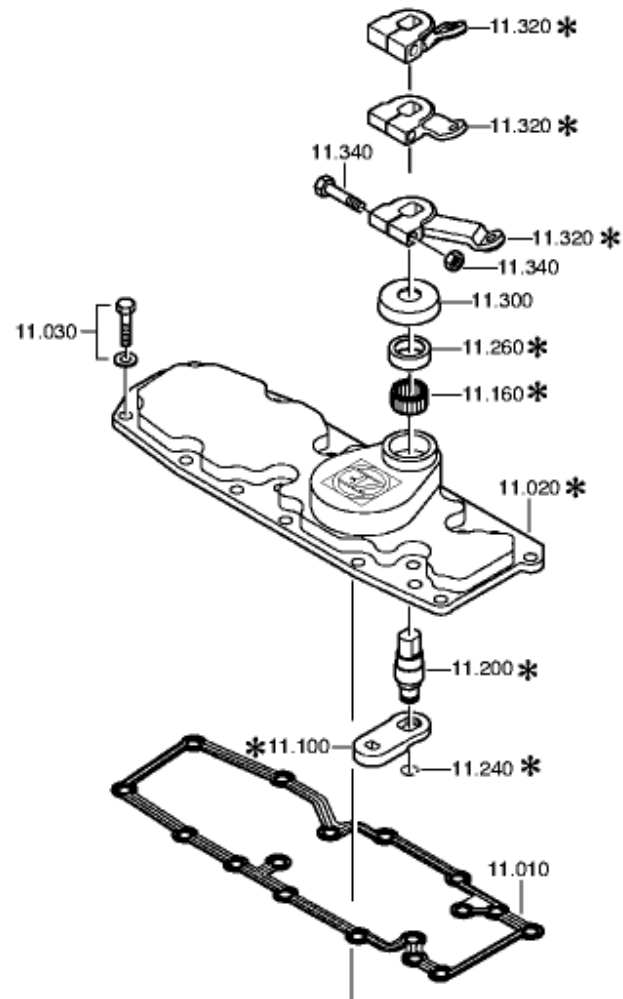
VKF Incidence factor

OTK Optional technical kit

ID Identification (output code)

SP Supplier plant





Parts list
Page 1 from 1

Material number: 1341.001.009 16 S 1620 TD / OTOSAN
Plant: 068.10.02
Material-assembly-group-no: 1316.111.806



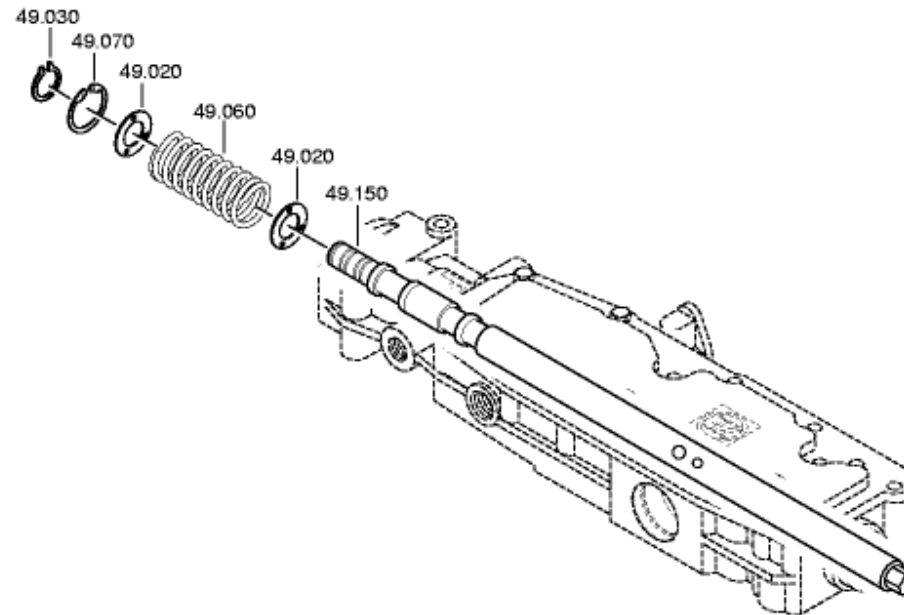
Pos.	Material number	Name	VKF	Amend. no.	Amend. start	Prod. no.	Material feature / tech. info.	OTK	External material no.	ID	Weight	SP
010	0501.317.240	GASKET	1		00.00.0000					4	0,004	
020	1315.307.336	COVER	1		00.00.0000					4	0,874	
030	---	HEXAGON SCREW	5		00.00.0000		M8X30 ISO4017/8.8 A3C			3	0,000	
	0636.015.321	HEXAGON SCREW	5		00.00.0000		ISO 4017 M 8 X 30			4	0,000	
	0630.001.075	WASHER	5		00.00.0000		DIN 125 ALT 8,4			4	0,000	
100	1315.307.375	SELECTOR LEVER	1		00.00.0000					4	0,080	
160	0635.303.007	NEEDLE SLEEVE	1		00.00.0000		FA. INA HK 2210 2			4	0,000	
200	1315.307.346	SELECTOR SHAFT	1		00.00.0000					4	0,110	
240	0630.531.240	V-RING	1		00.00.0000		FA. ORBIS AV 14			4	0,000	
260	---	SHAFT SEAL	1		00.00.0000		20X30X7			3	0,000	
	0734.309.392	SHAFT SEAL	1		00.00.0000		20X30X7			4	0,005	
300	1315.307.338	PROTECTING CAP	1		00.00.0000					4	0,020	
320	1341.307.057	SELECTOR LEVER	1		00.00.0000		U475			4	0,000	
340	---	BOLT+NUT	1		00.00.0000		M10X50 DIN931ALT/10.9 A3C			3	0,000	
	0637.006.120	HEXAGON NUT	1		00.00.0000		DIN 934 ALT M 10			4	0,000	
	0636.010.250	HEXAGON SCREW	1		00.00.0000		DIN 931 ALT M 10 X 50			4	0,000	

VKF Incidence factor

OTK Optional technical kit

ID Identification (output code)

SP Supplier plant





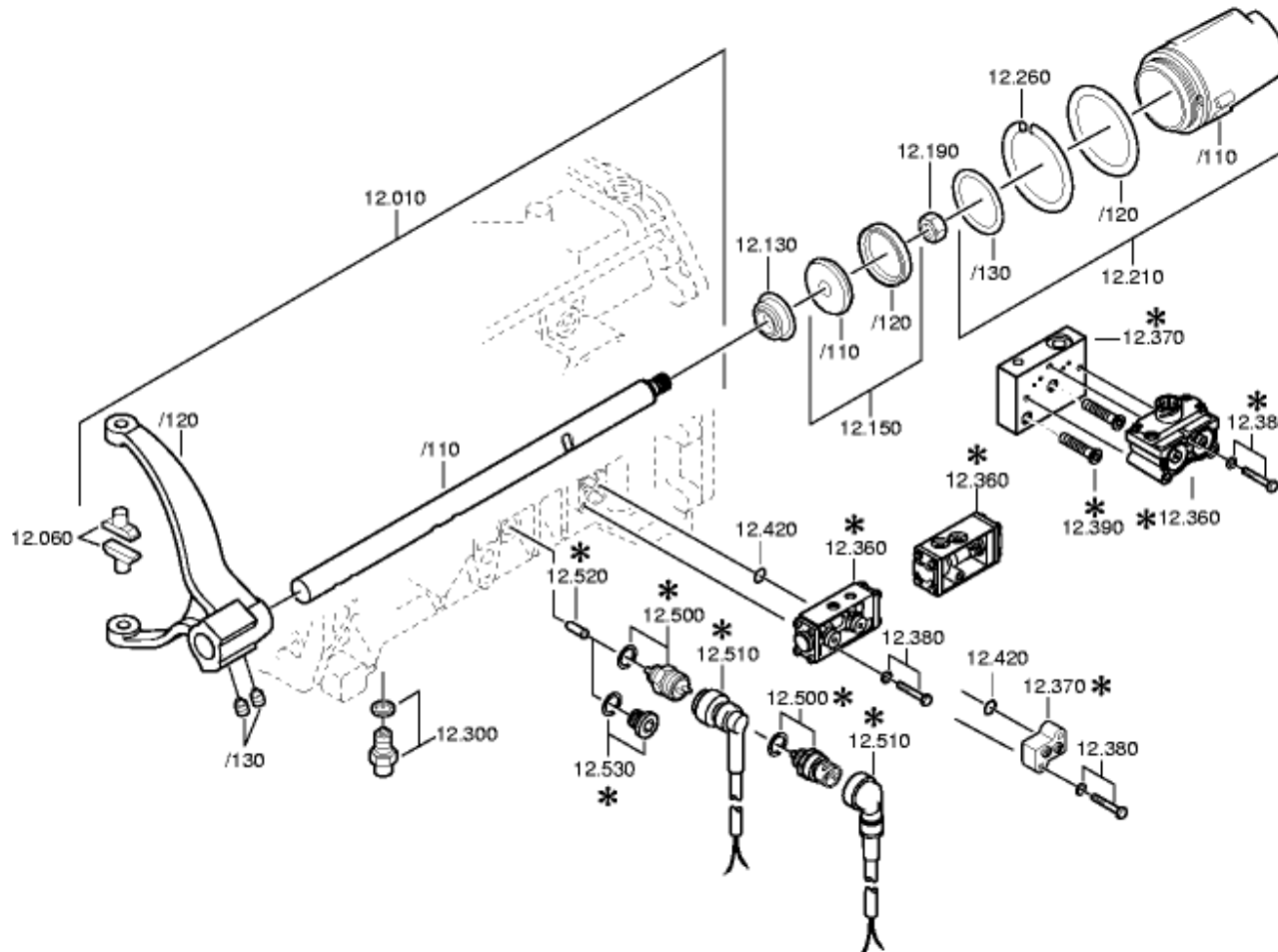
Pos.	Material number	Name	VKF	Amend. no.	Amend. start	Prod. no.	Material feature / tech. info.	OTK	External material no.	ID	Weight	SP
020	0730.104.083	WASHER	2		00.00.0000		A=2,00			4	0,012	
030	0630.532.138	V-RING	1		00.00.0000		FA. ORBIS JV 24			4	0,000	
060	0732.041.670	COMPR.SPRING	1		00.00.0000					4	0,014	
070	0630.502.022	RETAINING RING	1		00.00.0000		DIN 472 40X1,75			4	0,000	
150	1315.307.376	G.SHIFT SHAFT	1		00.00.0000		LI			4	2,074	

VKF Incidence factor

OTK Optional technical kit

ID Identification (output code)

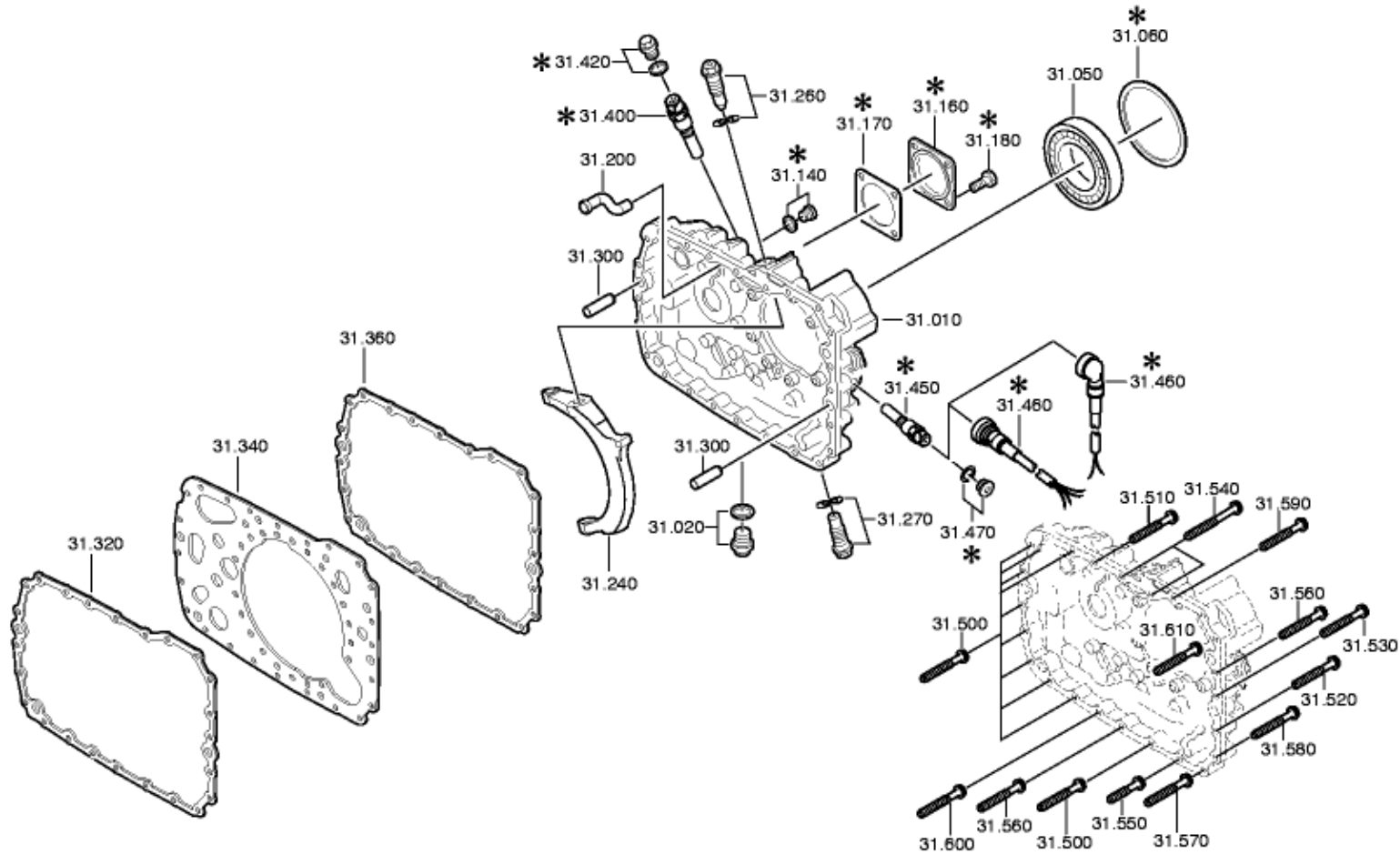
SP Supplier plant

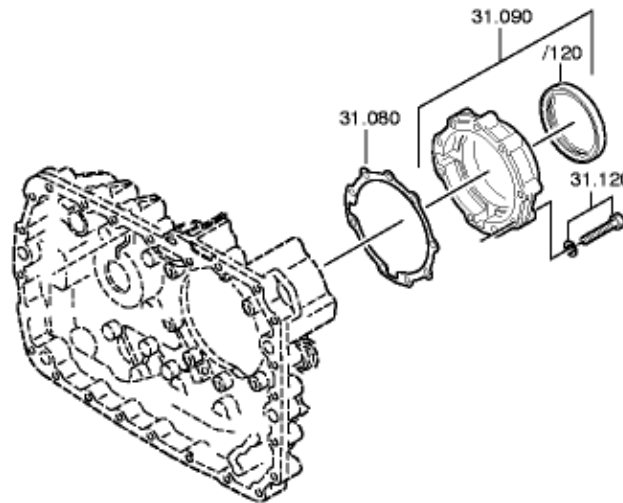




Pos.	Material number	Name	VKF	Amend. no.	Amend. start	Prod. no.	Material feature / tech. info.	OTK	External material no.	ID	Weight	SP
010	1315.212.013	GEAR SHIFT RAIL	1	1415C	KPL.GV.LAG.GEH.1			3	0,000	
/110	1315.312.073	GEAR SHIFT RAIL	1		00.00.0000		IN 1315 312 072(0)			4	1,720	
/120	1315.312.074	GEAR SHIFT FORK	1		00.00.0000		GV ECO 3			4	1,495	
/130	---	SET SCREW	2		00.00.0000		M12X1			3	0,000	
	1315.312.047	SET SCREW	2		00.00.0000		M12X1			4	0,008	
060	1316.306.015	SLIDING PAD	2	1415C				4	0,047	
130	0750.112.131	FLANGE PACKING	1		00.00.0000		WTB 25X40X15			4	0,026	
150	1315.212.008	PISTON	1		00.00.0000		KPL.			3	0,000	
/110	---	PISTON	1		00.00.0000		WTB*GV SINTER/STAHL			3	0,000	
	1315.312.003	PISTON	1		00.00.0000		GV			4	0,000	
	1315.312.020	PISTON	1		00.00.0000		GV			4	0,166	
/120	0750.112.177	DOUB.U-PACKING	1		00.00.0000		WTB 55X63X9,4			4	0,007	
190	---	LOCKING NUT	1		00.00.0000		M16X1,5 ZFN99			3	0,000	
	0737.006.095	LOCKING NUT	1		00.00.0000		MS16X1,5			4	0,023	
210	1315.212.010	CYLINDER	1		00.00.0000		KPL.			3	0,717	
/110	1315.312.048	CYLINDER	1		00.00.0000		ENTHALT.IN 1315 312 033(1)			4	0,720	
/120	0634.313.018	O-RING	1		00.00.0000		ZFN 744 82 X 3			4	0,000	
/130	0634.313.320	O-RING	1		00.00.0000		ZFN 744 67 X 3			4	0,000	
260	1315.312.034	SPRING	1		00.00.0000					4	0,008	
300	---	DETENT PLUNGER	1	70125	235N*50N.M			3	0,075	
	0730.008.604	SEALING RING	1	9860C	A16X22 IN 0730 008 636(2)			4	0,002	
	1313.207.003	DETENT PLUNGER	1		00.00.0000		KPL. IN 1313 207 001(2)			4	0,074	
360	0501.208.629	5/2 WAY VALVE	1	6340A	KPL.BG			4	0,184	
380	---	HEXAGON SCREW	2	76536	M6X40 ISO4014/8.8			3	0,000	
	0630.001.076	WASHER	2		00.00.0000		DIN 125 ALT 6,4			4	0,000	
	0636.010.740	HEXAGON SCREW	2		00.00.0000		ISO 4014 M 6 X 40			4	0,000	
420	0634.314.020	O-RING	2		00.00.0000		ZFN 744 8 X 2			4	0,000	
500	---	SWITCH	1	6533E	OEFF*45N.M*DICHTRING			3	0,000	
	0501.215.297	SWITCH	1		00.00.0000		KPL.			4	0,000	
	0634.801.062	SEALING RING	1		00.00.0000		DIN 7603 A 18 X 24			4	0,000	
510	6029.199.111	PLUG KIT	1		00.00.0000		4POL BU DINBA AMP WINKEL			4	0,025	
520	1295.212.006	PIN	1		00.00.0000		KPL.			4	0,009	

VKF Incidence factor **OTK** Optional technical kit **ID** Identification (output code) **SP** Supplier plant







Pos.	Material number	Name	VKF	Amend. no.	Amend. start	Prod. no.	Material feature / tech. info.	OTK	External material no.	ID	Weight	SP
010	1315.301.224	HOUSING	1		00.00.0000		ENTHALT.IN 1315 301 222(0)			4	7,840	
020	---	SCREW PLUG	1		00.00.0000		M24X1,5 * 60N.M* DICHRING			3	0,000	
	0636.304.049	SCREW PLUG	1		00.00.0000		DIN 910 M 24X1,5			4	0,000	
	0730.008.637	SEALING RING	1		00.00.0000		A24X29 IN 0730 008 636(2)			4	0,003	
050	0750.116.394	BALL BEARING	1	7214E	WTB 90,0X160,0X30,0			4	2,229	
080	1315.331.001	GASKET	1	5350C				4	0,015	
090	1315.231.004	COVER	1		00.00.0000		KPL.			3	0,982	
/120	0750.111.341	SHAFT SEAL	1		00.00.0000		WTB 105X130X12			4	0,074	
120	---	HEXAGON SCREW	9		00.00.0000		M10X60 DIN933ALT/8.8 A3C			3	0,000	
	0636.015.456	HEXAGON SCREW	9		00.00.0000		DIN 933 ALT M 10 X 60			4	0,000	
	0630.001.048	WASHER	9		00.00.0000		DIN 125 ALT 10,5			4	0,000	
140	---	SCREW PLUG	1	2971C	M10X1 * 15N.M* DICHRING			3	0,000	
	0634.801.013	SEALING RING	1		00.00.0000		DIN 7603 A 10 X 14			4	0,000	
	0636.302.053	SCREW PLUG	1		00.00.0000		DIN 908 M 10X1			4	0,000	
160	1304.301.034	COVER	1		00.00.0000		ENTHALT.IN 1238 308 199(1)			4	0,258	
170	1238.308.201	GASKET	1		00.00.0000		ENTHALT.IN 1238 308 202(2)			4	0,003	
180	---	HEXAGON SCREW	4		00.00.0000		M12X25 DIN933ALT/8.8 A3C			3	0,000	
	0636.016.178	HEXAGON SCREW	4		00.00.0000		DIN 933 ALT M 12 X 25			4	0,000	
200	1296.301.008	SPRAY TUBE	1		00.00.0000					4	0,034	
240	1315.334.039	GEAR SHIFT FORK	1		00.00.0000					4	2,104	
260	---	ARTICULAT.BOLT	1		00.00.0000		M24X1,5 SK6			3	0,000	
	1315.334.011	ARTICULAT.BOLT	1		00.00.0000		M24X1,5			4	0,289	
	0730.300.005	SPRING WASHER	1		00.00.0000					4	0,007	
270	---	ARTICULAT.BOLT	1		00.00.0000		M24X1,5 SK6			3	0,000	
	1315.334.011	ARTICULAT.BOLT	1		00.00.0000		M24X1,5			4	0,289	
	0730.300.005	SPRING WASHER	1		00.00.0000					4	0,007	
300	0731.201.563	CYLINDRICAL PIN	3		00.00.0000		IN 0731 201 458()			4	0,130	
320	1316.301.042	GASKET	1	78311				4	0,012	
340	1315.301.118	INTERM.PLATE	1		00.00.0000		ENTHALT.IN 1315 301 144(0)			4	2,125	
360	1316.301.042	GASKET	1		00.00.0000					4	0,012	
420	---	SCREW PLUG	1		00.00.0000		M18X1,5 * 35N.M* DICHRING			3	0,030	
	0636.302.021	SCREW PLUG	1		00.00.0000		DIN 908 M 18X1,5			4	0,000	

VKF Incidence factor

OTK Optional technical kit

ID Identification (output code)

SP Supplier plant



Pos.	Material number	Name	VKF	Amend. no.	Amend. start	Prod. no.	Material feature / tech. info.	OTK	External material no.	ID	Weight	SP
	0634.801.062	SEALING RING	1	57730			DIN 7603 A 18 X 24			4	0,000	
450	---	PULSE SENSOR	1		00.00.0000		L= 90,0* 45N.M*O. DICHTRING			3	0,000	
	0501.214.769	PULSE SENSOR	1		00.00.0000		KPL. IN 0501 214 767(2)			4	0,000	
460	6029.199.111	PLUG KIT	1		00.00.0000		4POL BU DINBA AMP WINKEL			4	0,025	
500	---	HEXAGON SCREW	11		00.00.0000		M10X70			3	0,000	
	0736.010.180	HEXAGON SCREW	11		00.00.0000		M10X70			4	0,051	
510	---	HEXAGON SCREW	1		00.00.0000		M10X70			3	0,000	
	0736.010.180	HEXAGON SCREW	1		00.00.0000		M10X70			4	0,051	
520	---	HEXAGON SCREW	1		00.00.0000		M10X70			3	0,000	
	0736.010.180	HEXAGON SCREW	1		00.00.0000		M10X70			4	0,051	
530	---	HEXAGON SCREW	1		00.00.0000		M10X70			3	0,000	
	0736.010.180	HEXAGON SCREW	1		00.00.0000		M10X70			4	0,051	
540	---	HEXAGON SCREW	2		00.00.0000		M10X110			3	0,000	
	0736.010.181	HEXAGON SCREW	2		00.00.0000		M10X110			4	0,070	
550	---	HEXAGON SCREW	1		00.00.0000		M10X50			3	0,000	
	0736.010.179	HEXAGON SCREW	1		00.00.0000		M10X50			4	0,042	
560	---	HEXAGON SCREW	2		00.00.0000		M10X70			3	0,000	
	0736.010.180	HEXAGON SCREW	2		00.00.0000		M10X70			4	0,051	
570	---	HEXAGON SCREW	1		00.00.0000		M10X70			3	0,000	
	0736.010.180	HEXAGON SCREW	1		00.00.0000		M10X70			4	0,051	
580	---	HEXAGON SCREW	1		00.00.0000		M10X70			3	0,000	
	0736.010.180	HEXAGON SCREW	1		00.00.0000		M10X70			4	0,051	
590	---	HEXAGON SCREW	1		00.00.0000		M10X50			3	0,000	
	0736.010.179	HEXAGON SCREW	1		00.00.0000		M10X50			4	0,042	
600	---	HEXAGON SCREW	1		00.00.0000		M10X70			3	0,000	
	0736.010.180	HEXAGON SCREW	1		00.00.0000		M10X70			4	0,051	
610	---	HEXAGON SCREW	1		00.00.0000		M10X70			3	0,000	
	0736.010.180	HEXAGON SCREW	1		00.00.0000		M10X70			4	0,051	

VKF Incidence factor

OTK Optional technical kit

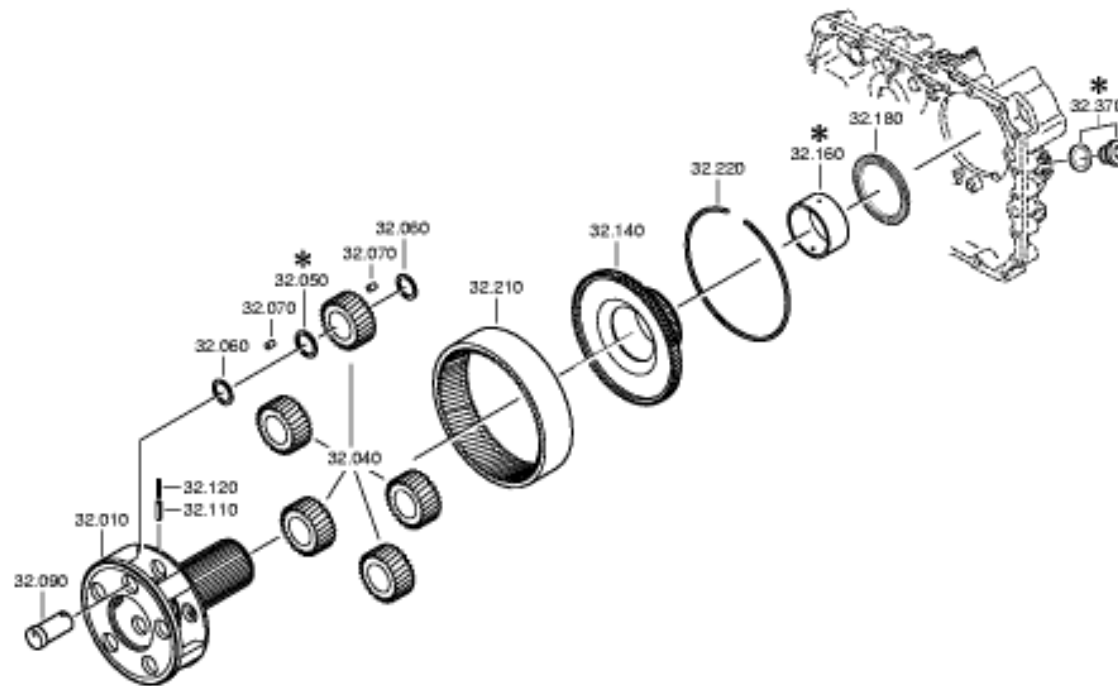
ID Identification (output code)

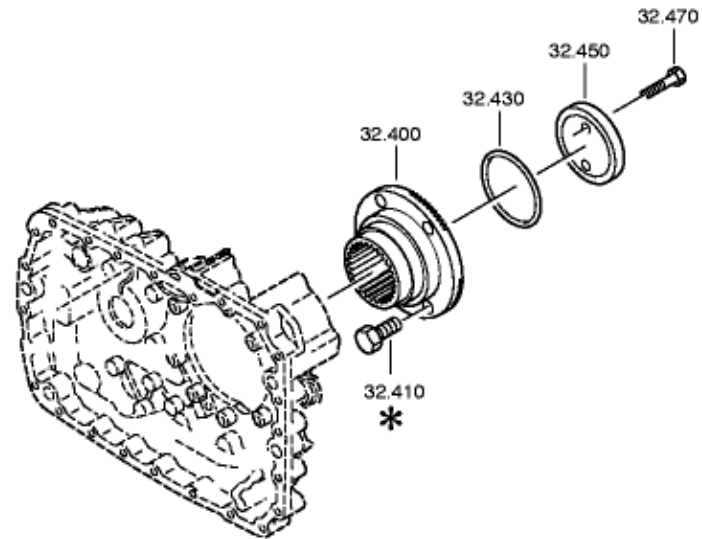
SP Supplier plant



Bildtafel:
Figure: 068.44.07
Figure:
Figura:

je nach Stücklistenausführung
depending on spec. number
* suivant la nomenclature
secondo la distinta base





Parts list
Page 1 from 1

Material number: 1341.001.009 16 S 1620 TD / OTOSAN
Plant: 068.44.07
Material-assembly-group-no: 1315.132.015



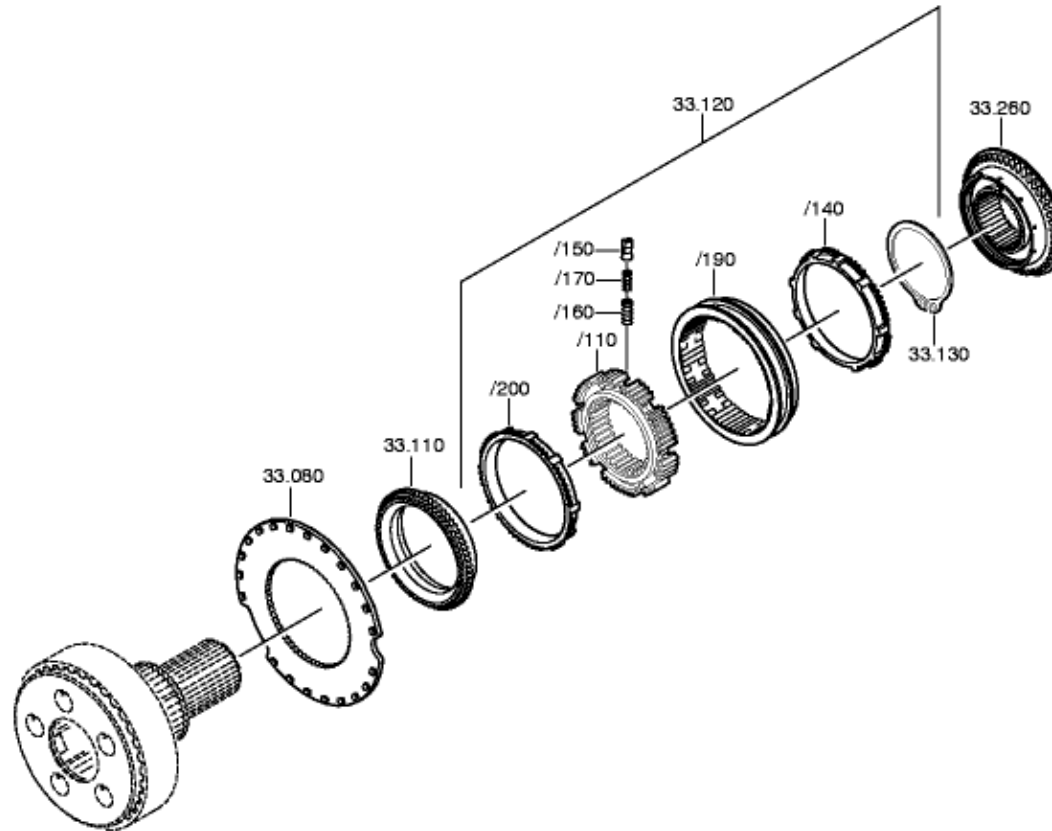
Pos.	Material number	Name	VKF	Amend. no.	Amend. start	Prod. no.	Material feature / tech. info.	OTK	External material no.	ID	Weight	SP
010	1315.232.017	PLANET CARRIER	1	3197C	KPL.4,565*SV-GP*FL. PROF.90			4	16,940	
040	1315.232.010	PLANET GEAR SET	1		00.00.0000		KPL.			4	5,020	
060	0730.107.168	INTERM.WASHER	15		00.00.0000		A=1,00			4	0,004	
070	0750.119.116	ROLLER	140		00.00.0000		WTB 10,0X16,8			4	0,010	
090	1315.332.053	PLANET SHAFT	5	7226B	ENTHALT.IN 1316 332 037(2)			4	0,479	
110	0631.329.051	SLOT.PIN	5		00.00.0000		ISO 8752 5 X 26			4	0,000	
120	0631.329.167	SLOT.PIN	5		00.00.0000		ISO 8752 3 X 26			4	0,000	
140	1316.332.103	RING GEAR CARR.	1		00.00.0000		ENTHALT.IN 1316 332 100(1)			4	4,800	
160	1316.333.014	INTERM.RING	1		00.00.0000					4	0,556	
180	0735.298.169	AX.NEEDLE BEAR.	1		00.00.0000		104,5X128,4X10,0			4	0,168	
210	1315.332.041	RING GEAR	1		00.00.0000		IN 1316 332 055(1)			4	4,267	
220	0730.513.583	LOCKING WIRE	1		00.00.0000		A=3,20			4	0,050	
400	1297.333.110	OUTPUT FLANGE	1		00.00.0000		ENTHALT.IN 1314 332 007(0)			4	4,200	
430	0634.313.805	O-RING	1	79599	ZFN 744 82 X 4			4	0,000	
450	1312.332.028	WASHER	1		00.00.0000		ENTHALT.IN 1295 332 063(1)			4	0,660	
470	---	HEXAGON SCREW	2		00.00.0000		M12X60 DIN931ALT/10.9 A3C			3	0,000	
	0636.011.540	HEXAGON SCREW	2		00.00.0000		DIN 931 ALT M 12 X 60			4	0,000	

VKF Incidence factor

OTK Optional technical kit

ID Identification (output code)

SP Supplier plant





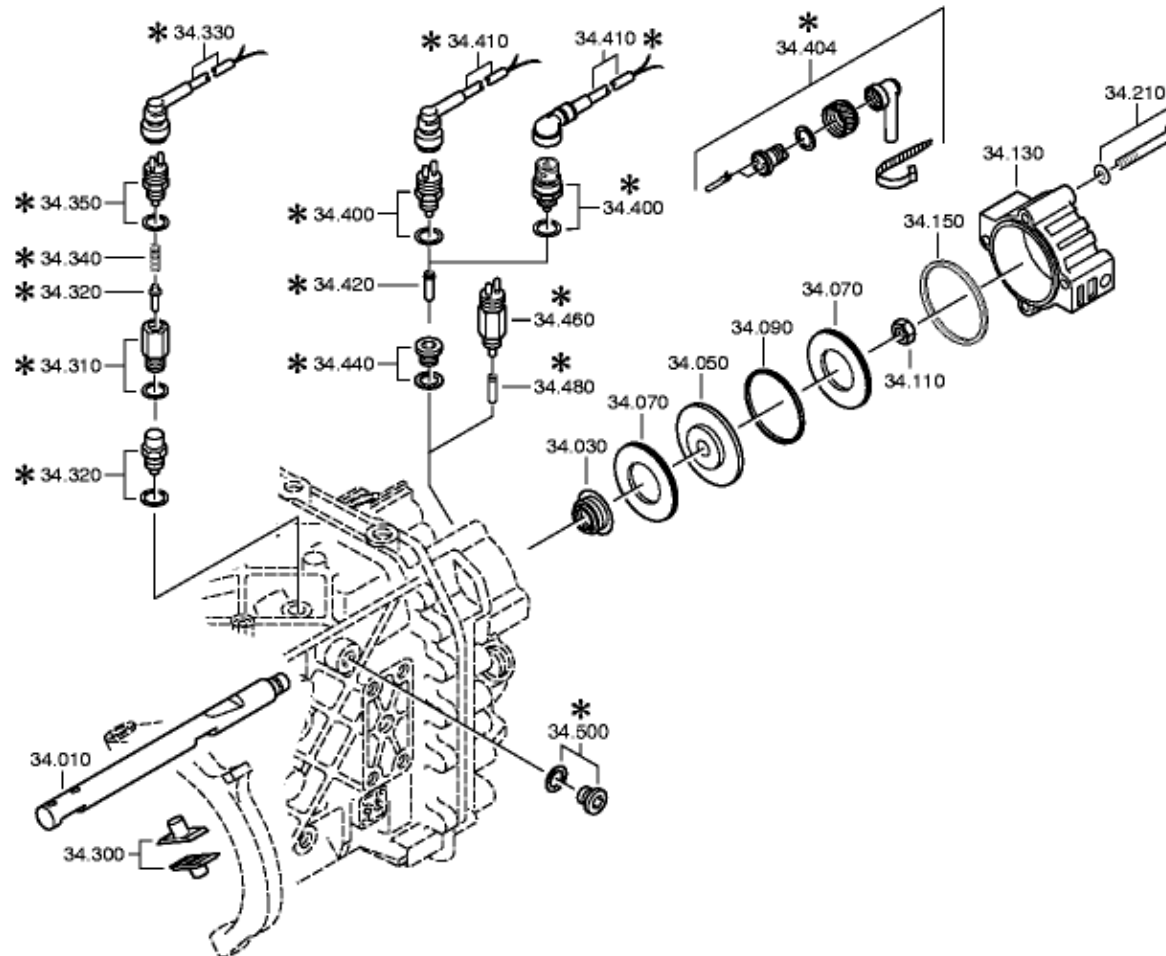
Pos.	Material number	Name	VKF	Amend. no.	Amend. start	Prod. no.	Material feature / tech. info.	OTK	External material no.	ID	Weight	SP
080	1296.333.046	CLUTCH DISC	1		00.00.0000		ENTHALT.IN 1296 333 051(1)			4	2,504	
110	1296.333.050	CLUTCH BODY	1	2627A	ENTHALT.IN 1296 333 053(1)			4	1,550	
120	1315.233.029	SYNCHRONIZER	1		00.00.0000		KPL.MOLYBDAEN*FL-PROFIL 80			3	6	
/110	1313.333.001	SYNCHRO.BODY	1		00.00.0000		ENTHALT.IN 1296 333 014(1)			4	1,900	
/140	1296.333.045	SYNCHRO.RING	1	1121E	IN 1296 333 055(0)			4	0,750	
/150	1240.304.278	THRUST PIECE	9		00.00.0000		ZF_B119-167			4	0,000	
/160	0732.040.385	COMPR.SPRING	9		00.00.0000					4	0,000	
/170	0732.040.386	COMPR.SPRING	9		00.00.0000					4	0,000	
/190	1296.333.023	SLIDING SLEEVE	1		00.00.0000		ENTHALT.IN 1304 333 013(1)			4	2,400	
/200	1296.333.045	SYNCHRO.RING	1	1121E	IN 1296 333 055(0)			4	0,750	
130	---	RETAINING RING	1		00.00.0000		WTB			3	0,000	
	0630.501.175	RETAINING RING	1		00.00.0000		DIN 471 125X3,7			4	0,000	
	0630.501.174	RETAINING RING	1		00.00.0000		DIN 471 125X3,8			4	0,000	
	0630.501.173	RETAINING RING	1		00.00.0000		DIN 471 125X3,9			4	0,000	
	0630.501.061	RETAINING RING	1		00.00.0000		DIN 471 125X4			4	0,000	
260	1316.233.015	CLUTCH BODY	1	68841	KPL.GP-SV*SCHNELLE GRUPPE			4	3,450	

VKF Incidence factor

OTK Optional technical kit

ID Identification (output code)

SP Supplier plant





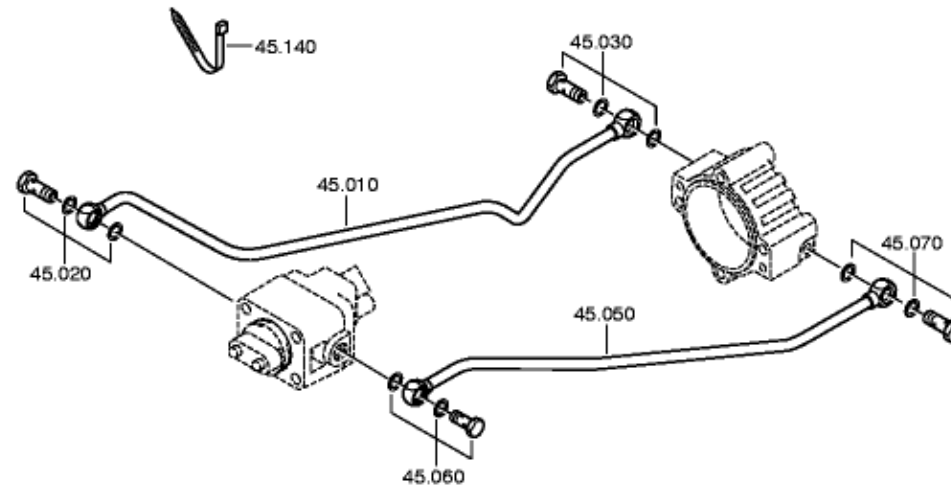
Pos.	Material number	Name	VKF	Amend. no.	Amend. start	Prod. no.	Material feature / tech. info.	OTK	External material no.	ID	Weight	SP
010	1315.334.058	GEAR SHIFT RAIL	1		00.00.0000		IN 1315 334 057(0)			4	1,108	
030	0750.112.131	FLANGE PACKING	1		00.00.0000		WTB 25X40X15			4	0,026	
050	---	PISTON	1	8604B	WTB*GP			3	0,000	
	1315.334.034	PISTON	1		00.00.0000		ENTHALT.IN 1315 334 040(1)			4	0,390	
	1315.334.063	PISTON	1		00.00.0000		IN 1315 334 062(1)			4	0,000	
070	0734.307.294	SEALING RING	2		00.00.0000		49X91X7,4			4	0,067	
090	0750.112.066	GUIDE RING	1		00.00.0000		WTB			4	0,005	
110	---	LOCKING NUT	1		00.00.0000		M16X1,5 ZFN99			3	0,000	
	0737.006.095	LOCKING NUT	1		00.00.0000		MS16X1,5			4	0,023	
130	1315.334.056	CYLINDER	1		00.00.0000		GP			4	0,965	
150	0501.317.536	PROF.SEAL RING	1		00.00.0000					4	0,003	
210	---	HEXAGON SCREW	4		00.00.0000		M10X90 DIN933ALT/8.8 A3C			3	0,000	
	0630.001.048	WASHER	4		00.00.0000		DIN 125 ALT 10,5			4	0,000	
	0636.015.459	HEXAGON SCREW	4		00.00.0000		DIN 933 ALT M 10 X 90			4	0,000	
300	1296.334.004	SLIDING PAD	2		00.00.0000		ENTHALT.IN 1295 334 065(2)			4	0,107	
320	---	DETENT PLUNGER	1		00.00.0000		145N*50N.M			3	0,073	
	0730.008.604	SEALING RING	1	9860C	A16X22 IN 0730 008 636(2)			4	0,002	
	1313.207.005	DETENT PLUNGER	1	55178	KPL. IN 1313 207 001(2)			4	0,072	
400	---	SWITCH	1	6533E	OEFF*45N.M*DICHTRING			3	0,000	
	0501.215.297	SWITCH	1		00.00.0000		KPL.			4	0,000	
	0634.801.062	SEALING RING	1		00.00.0000		DIN 7603 A 18 X 24			4	0,000	
410	6029.199.111	PLUG KIT	1		00.00.0000		4POL BU DINBA AMP WINKEL			4	0,025	
420	1295.212.006	PIN	1		00.00.0000		KPL.			4	0,009	

VKF Incidence factor

OTK Optional technical kit

ID Identification (output code)

SP Supplier plant





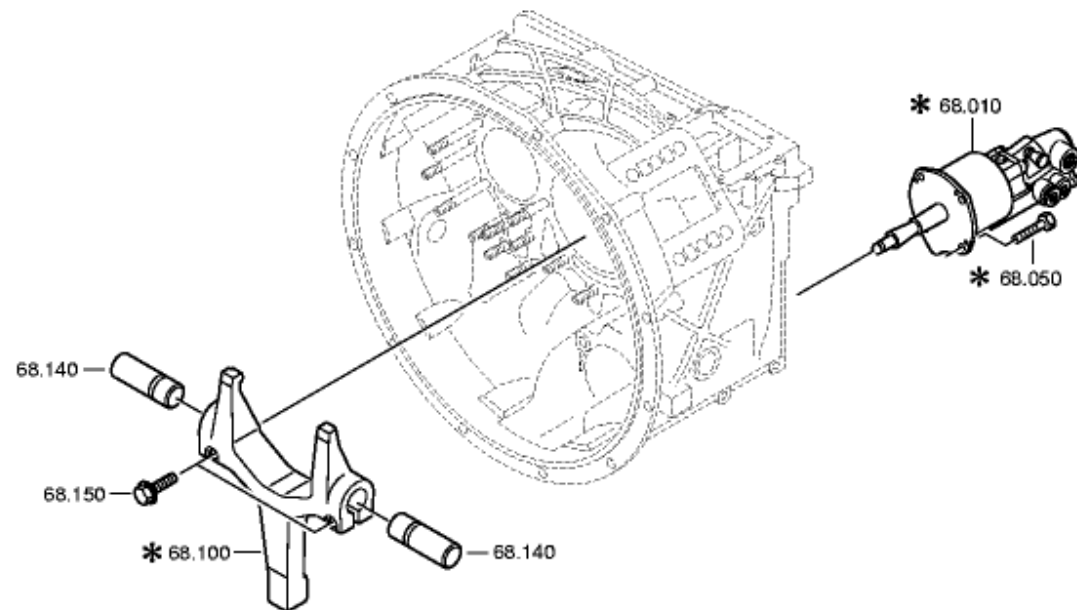
Pos.	Material number	Name	VKF	Amend. no.	Amend. start	Prod. no.	Material feature / tech. info.	OTK	External material no.	ID	Weight	SP
010	1315.245.016	PIPE	1	3833B	KPL.GP RE*L=515MM*12X1,5			4	0,017	
020	---	UNION SCREW	1	1154C	10 DIN7643*4 LOCH			3	0,000	
	0737.835.238	UNION SCREW	1		00.00.0000					4	0,029	
	0634.801.217	SEALING RING	2	5163C	DIN 7603 A 14 X 20			4	0,000	
030	---	UNION SCREW	1	1154C	10 DIN7643*4 LOCH			3	0,000	
	0634.801.217	SEALING RING	2	5163C	DIN 7603 A 14 X 20			4	0,000	
	0737.835.238	UNION SCREW	1		00.00.0000					4	0,029	
050	1315.245.017	PIPE	1	3833B	KPL.GP LI*L=532MM*12X1,5			4	0,098	
060	---	UNION SCREW	1	1154C	10 DIN7643*4 LOCH			3	0,000	
	0737.835.238	UNION SCREW	1		00.00.0000					4	0,029	
	0634.801.217	SEALING RING	2	5163C	DIN 7603 A 14 X 20			4	0,000	
070	---	UNION SCREW	1	1154C	10 DIN7643*4 LOCH			3	0,000	
	0737.835.238	UNION SCREW	1		00.00.0000					4	0,029	
	0634.801.217	SEALING RING	2	5163C	DIN 7603 A 14 X 20			4	0,000	
140	0659.160.081	CABLE CLIP	1	6654E	FA. HELLERMANN T80R 4,7X			4	0,000	

VKF Incidence factor

OTK Optional technical kit

ID Identification (output code)

SP Supplier plant





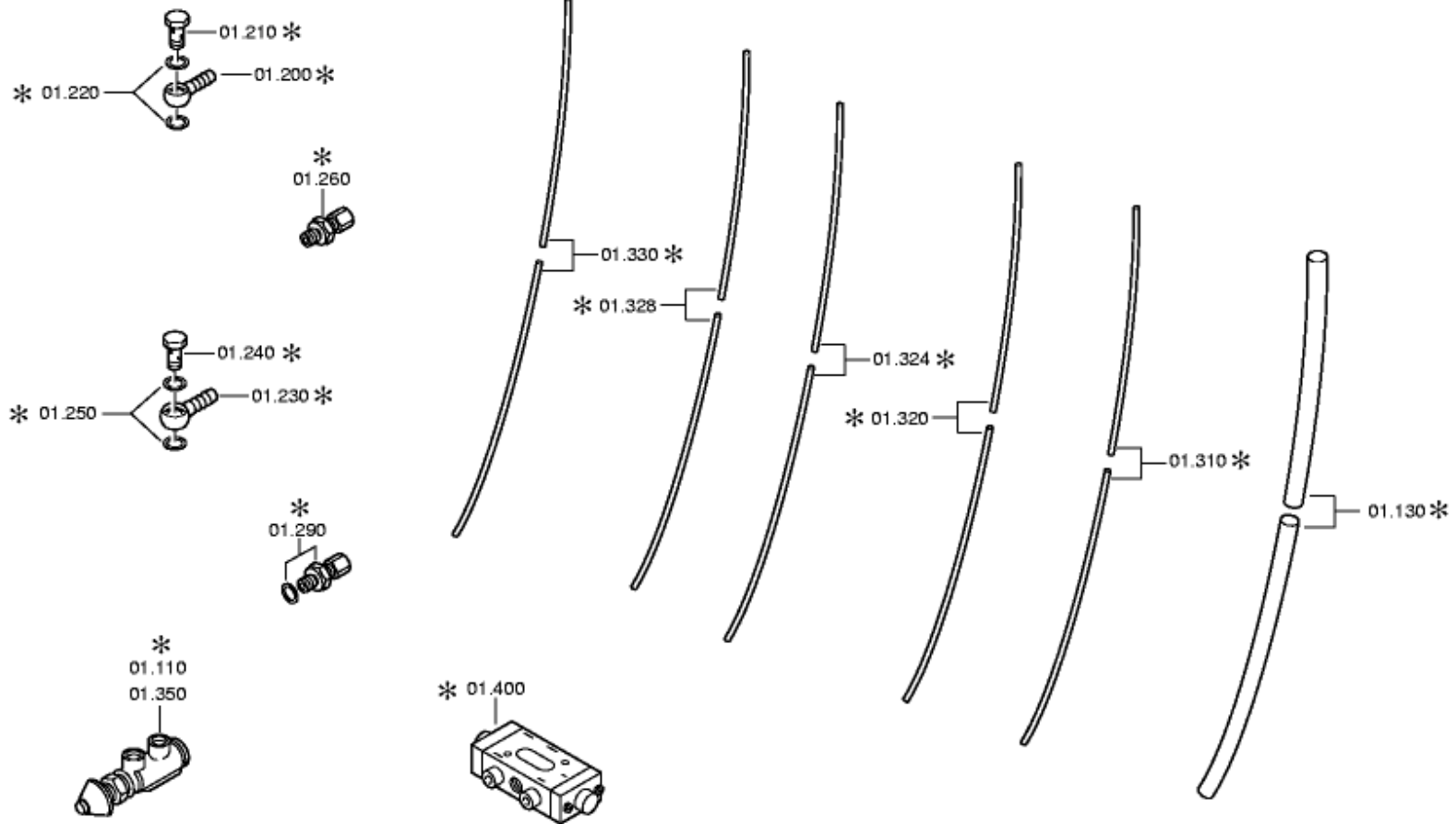
Pos.	Material number	Name	VKF	Amend. no.	Amend. start	Prod. no.	Material feature / tech. info.	OTK	External material no.	ID	Weight	SP
100	1315.268.015	RELEASE FORK	1		00.00.0000		KPL.AUSR-WELLE*SW=128* 2-SK			4	3,402	
140	---	SHAFT	2		00.00.0000					3	0,000	
	1315.368.039	SHAFT	2		00.00.0000					4	0,462	
150	---	LOCKING SCREW	2		00.00.0000		M10X45 DURLOK/12.9			3	0,000	
	0736.031.059	LOCKING SCREW	2	9473D	M10X45			4	0,000	

VKF Incidence factor

OTK Optional technical kit

ID Identification (output code)

SP Supplier plant



Parts list
Page 1 from 1

Material number: 1341.001.009 16 S 1620 TD / OTOSAN
Plant: 068.95.43
Material-assembly-group-no: 6007.101.460



Pos.	Material number	Name	VKF	Amend. no.	Amend. start	Prod. no.	Material feature / tech. info.	OTK	External material no.	ID	Weight	SP
110	0750.132.007	3/2-WAY VALVE	1		00.00.0000		WTB*KUPPL. AUSLOESEVENTIL			4	0,285	
200	0737.834.035	RING PIECE	1		00.00.0000					4	0,013	
210	---	UNION SCREW	1		00.00.0000		8 DIN7643			3	0,000	
	0637.835.026	UNION SCREW	1		00.00.0000		DIN 7643 8			4	0,000	
	0634.801.205	SEALING RING	2		00.00.0000		DIN 7603 A 12 X 15,5			4	0,000	
230	0750.146.008	RING PIECE	1		00.00.0000		WTB			4	0,011	
240	---	UNION SCREW	1		00.00.0000		6 DIN7643			3	0,000	
	0634.801.015	SEALING RING	2		00.00.0000		DIN 7603 A 10 X 14			4	0,000	
	0637.835.033	UNION SCREW	1		00.00.0000		DIN 7643 6			4	0,000	
260	0737.843.036	PIPE UNION	2		00.00.0000		M10X1			4	0,015	
320	6007.301.335	PIPE	1		00.00.0000		L=6500			4	0,065	
330	6007.301.336	PIPE	1		00.00.0000		L=6500			4	0,063	

VKF Incidence factor

OTK Optional technical kit

ID Identification (output code)

SP Supplier plant

© All rights reserved by ZF Friedrichshafen AG, even in the event of applications for copyright. We hold all rights of disposal, such as the right to copy and disseminate.
For information only, not subject to the amendment service.

23.01.2007